

# Compal Confidential

## EBQ10 LA-2741 Schematics Document

Intel Dothan with 915PM(GM)/910GML + DDRII + ICH6M  
(nVidia NV43M or ATi M24/M26)

2005-03-25

REV: 0.3

Security Classification	Compal Secret Data			Compal Electronics, Inc.			
Issued Date	2005/03/25	Deciphered Date	2006/03/25	Title	Cover Sheet		
THIS SHEET OF ENGINEERING DRAWING IS THE PROPRIETARY PROPERTY OF COMPAL ELECTRONICS, INC. AND CONTAINS CONFIDENTIAL AND TRADE SECRET INFORMATION. THIS SHEET MAY NOT BE TRANSFERRED FROM THE CUSTODY OF THE COMPETENT DIVISION OF R&D DEPARTMENT EXCEPT AS AUTHORIZED BY COMPAL ELECTRONICS, INC. NEITHER THIS SHEET NOR THE INFORMATION IT CONTAINS MAY BE USED BY OR DISCLOSED TO ANY THIRD PARTY WITHOUT PRIOR WRITTEN CONSENT OF COMPAL ELECTRONICS, INC.				Document Number	EBQ10 LA-2741	Rev	1.0
				Date:	星期三, 四月 20, 2005	Sheet	1 of 49



## Voltage Rails

Power Plane	Description	S1	S3	S5
VIN	Adapter power supply (19V)	N/A	N/A	N/A
B+	AC or battery power rail for power circuit.	N/A	N/A	N/A
+CPU_CORE	Core voltage for CPU	ON	OFF	OFF
+0.9VS	0.9V switched power rail for DDR terminator	ON	OFF	OFF
+1.05VS	1.05V switched power rail	ON	OFF	OFF
+1.5VALW	1.5V always on power rail	ON	ON	ON*
+1.5VS	1.5V switched power rail	ON	OFF	OFF
+1.8V	1.8V power rail for DDR	ON	ON	OFF
+1.8VS	1.8V switched power rail	ON	OFF	OFF
+2.5VS	2.5V switched power rail	ON	OFF	OFF
+3VALW	3.3V always on power rail	ON	ON	ON*
+3V	3.3V power rail	ON	ON	OFF
+3VS	3.3V switched power rail	ON	OFF	OFF
+5VALW	5V always on power rail	ON	ON	ON*
+5VS	5V switched power rail	ON	OFF	OFF
+12VALW	12V always on power rail	ON	ON	ON*
+RTCVCC	RTC power	ON	ON	ON

Note : ON\* means that this power plane is ON only with AC power available, otherwise it is OFF.

## External PCI Devices

Device	IDSEL#	REQ#/GNT#	Interrupts
CardBus(SD)	AD20	2	PIRQA/PIRQB
1394	AD16	0	PIRQE
LAN	AD17	1	PIRQF
Mini-PCI(WLAN)	AD18	3	PIRQG/PORQH
Mini-PCI(TV-Tuner)	AD19	4	PIRQH/PORQA

## EC SM Bus1 address

Device	Address	Device	Address
Smart Battery	0001 011X b	ADM1032	1001 110X b
EEPROM(24C16/02)	1010 000X b		

## EC SM Bus2 address

## ICH6M SM Bus address

Device	Address
Clock Generator ( ICS 954226)	1101 001Xb
DDR DIMM0	1001 000Xb
DDR DIMM2	1001 010Xb

STATE	SIGNAL	SLP_S1#	SLP_S3#	SLP_S4#	SLP_S5#	+VALW	+V	+VS	Clock
Full ON		HIGH	HIGH	HIGH	HIGH	ON	ON	ON	ON
S1(Power On Suspend)		LOW	HIGH	HIGH	HIGH	ON	ON	ON	LOW
S3(Suspend to RAM)		LOW	LOW	HIGH	HIGH	ON	ON	OFF	OFF
S4(Suspend to Disk)		LOW	LOW	LOW	HIGH	ON	OFF	OFF	OFF
S5(Soft OFF)		LOW	LOW	LOW	LOW	ON	OFF	OFF	OFF

## Board ID / SKU ID Table for AD channel

Vcc	3.3V +/- 5%			
Ra/Rc/Re	100K +/- 5%			
Board ID	Rb / Rd / Rf	VAD_BID min	VAD_BID typ	VAD_BID max
0	0	0 V	0 V	0 V
1	8.2K +/- 5%	0.216 V	0.250 V	0.289 V
2	18K +/- 5%	0.436 V	0.503 V	0.538 V
3	33K +/- 5%	0.712 V	0.819 V	0.875 V
4	56K +/- 5%	1.036 V	1.185 V	1.264 V
5	100K +/- 5%	1.453 V	1.650 V	1.759 V
6	200K +/- 5%	1.935 V	2.200 V	2.341 V
7	NC	2.500 V	3.300 V	3.300 V

## BOARD ID Table

Board ID	PCB Revision
0	0.1
1	0.2
2	0.3
3	1.0
4	
5	
6	
7	

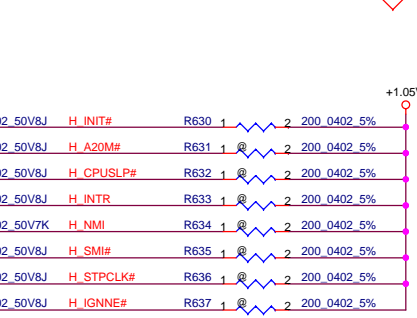
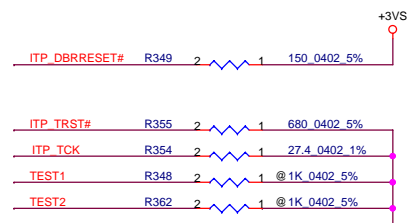
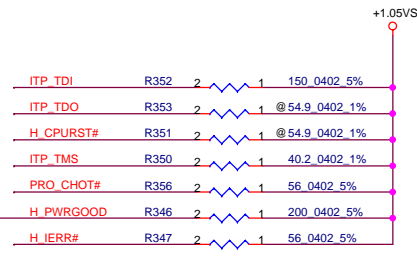
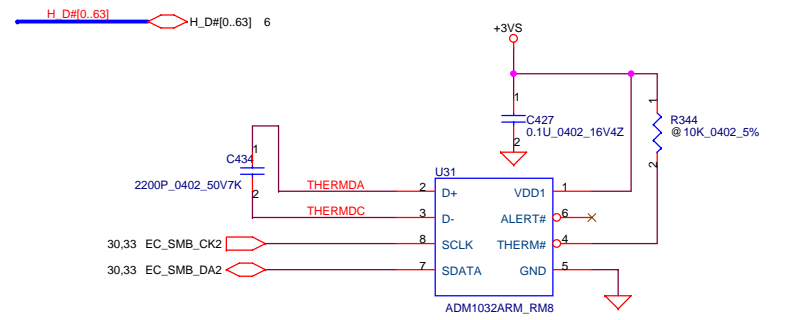
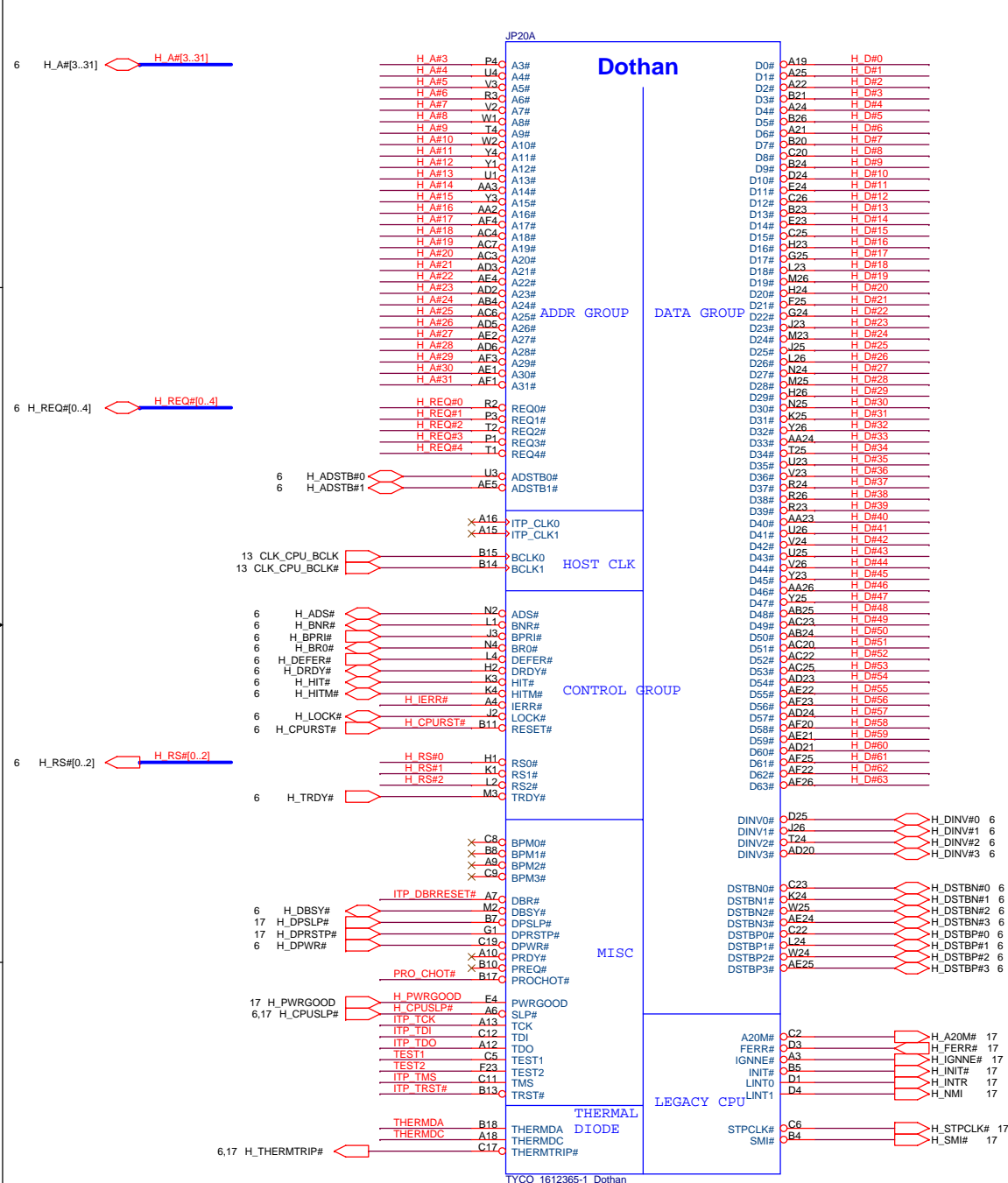
## BTO Option Table

BTO Item	BOM Structure
VGA	GM@ PM@
Card Reader	5IN1@
Giga LAN	8100C@ 8110S@
New Card	NEWCARD@
IEEE1394	1394@
TV Tuner	TUNER@
INT MIC.	MIC@
KILL SW	WLAN@
CIR	CIR@
HW EQ	EQ@ NOEQ@

## SKU ID Table

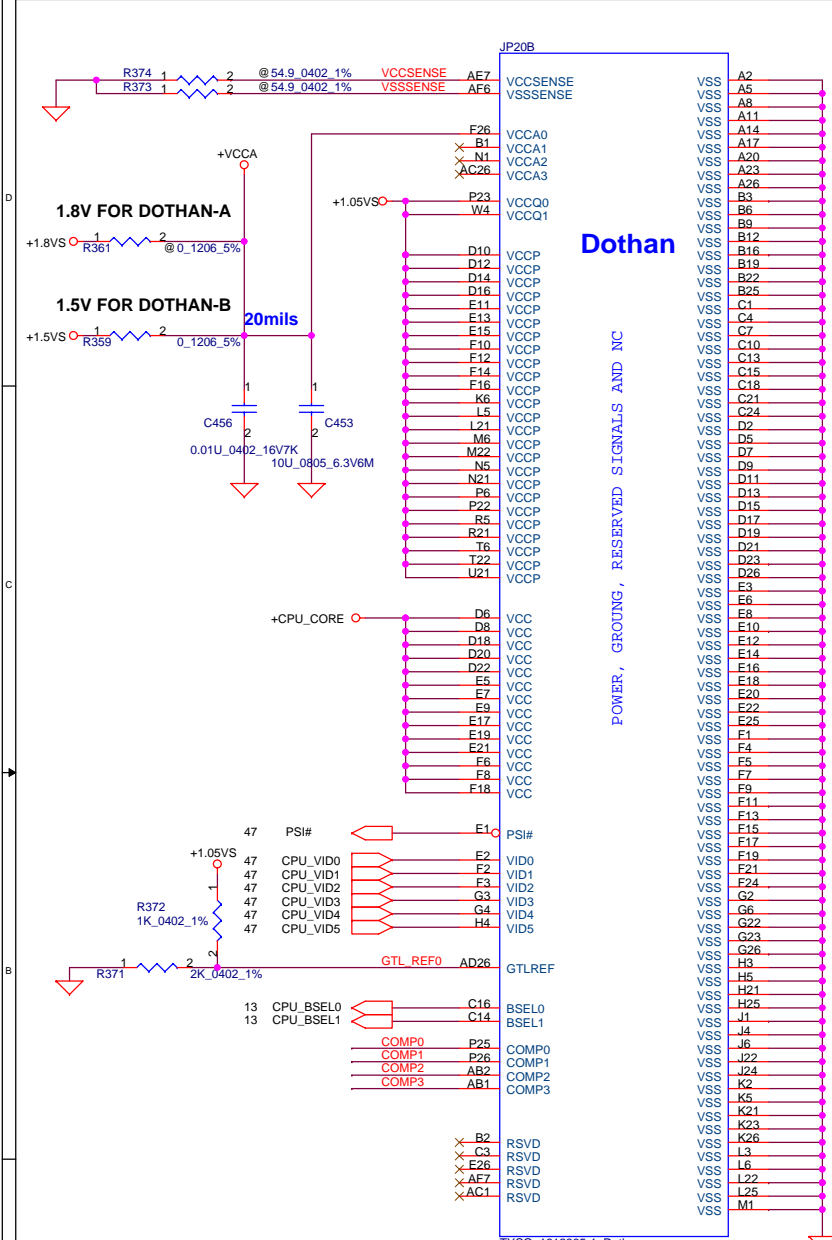
SKU ID	SKU
0	
1	
2	
3	
4	
5	
6	
7	

Security Classification	Compal Secret Data			Compal Electronics, Inc.		
Issued Date	2005/03/25	Deciphered Date	2006/03/25	Title		
THIS SHEET OF ENGINEERING DRAWING IS THE PROPRIETARY PROPERTY OF COMPAL ELECTRONICS, INC. AND CONTAINS CONFIDENTIAL AND TRADE SECRET INFORMATION. THIS SHEET MAY NOT BE TRANSFERRED FROM THE CUSTODY OF THE COMPETENT DIVISION OF R&D DEPARTMENT EXCEPT AS AUTHORIZED BY COMPAL ELECTRONICS, INC. NEITHER THIS SHEET NOR THE INFORMATION IT CONTAINS MAY BE USED BY OR DISCLOSED TO ANY THIRD PARTY WITHOUT PRIOR WRITTEN CONSENT OF COMPAL ELECTRONICS, INC.				Notes		
				Document Number	Rev 1.0	
				EBQ10 LA 2741		
				Date:	星期三, 四月 20, 2005	
				Sheet	3 of 49	



<BOM Structure>  
THERMDA & THERMDC Trace / Space = 10 / 10 mil

Security Classification	Compal Secret Data		Compal Electronics, Inc.	
Issued Date	2005/03/25	Deciphered Date	2006/03/25	Title
THIS SHEET OF ENGINEERING DRAWING IS THE PROPRIETARY PROPERTY OF COMPAL ELECTRONICS, INC. AND CONTAINS CONFIDENTIAL AND TRADE SECRET INFORMATION. THIS SHEET MAY NOT BE TRANSFERRED FROM THE CUSTODY OF THE COMPETENT DIVISION OF R&D DEPARTMENT EXCEPT AS AUTHORIZED BY COMPAL ELECTRONICS, INC. NEITHER THIS SHEET NOR THE INFORMATION IT CONTAINS MAY BE USED BY OR DISCLOSED TO ANY THIRD PARTY WITHOUT PRIOR WRITTEN CONSENT OF COMPAL ELECTRONICS, INC.				Rev 1.0
Date: 星期二, 四月 20, 2005			Sheet 4 of 49	

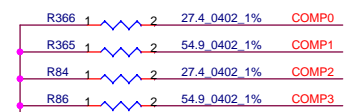


Dothan

POWER, GROUND, RESERVED SIGNALS AND I/O

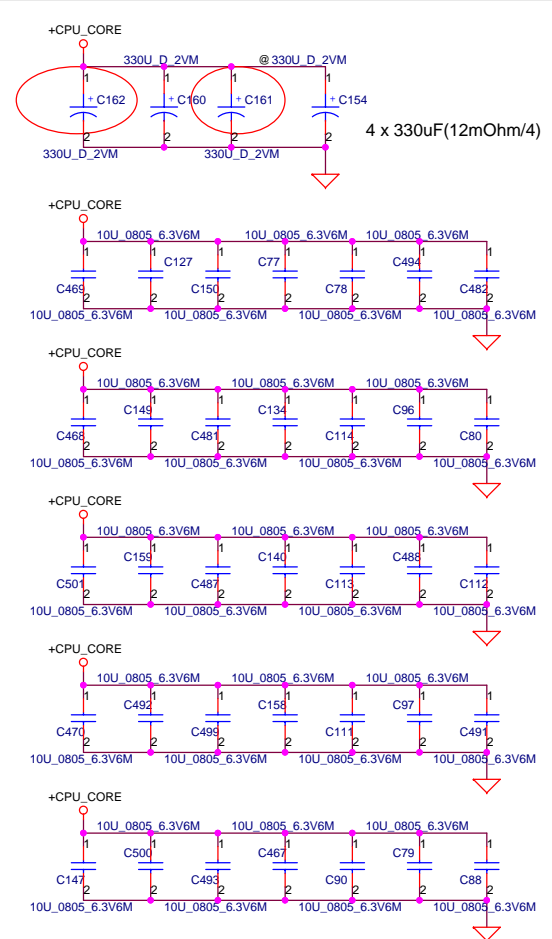
TYCO\_1612365-1\_Dothan

<BOM Structures>

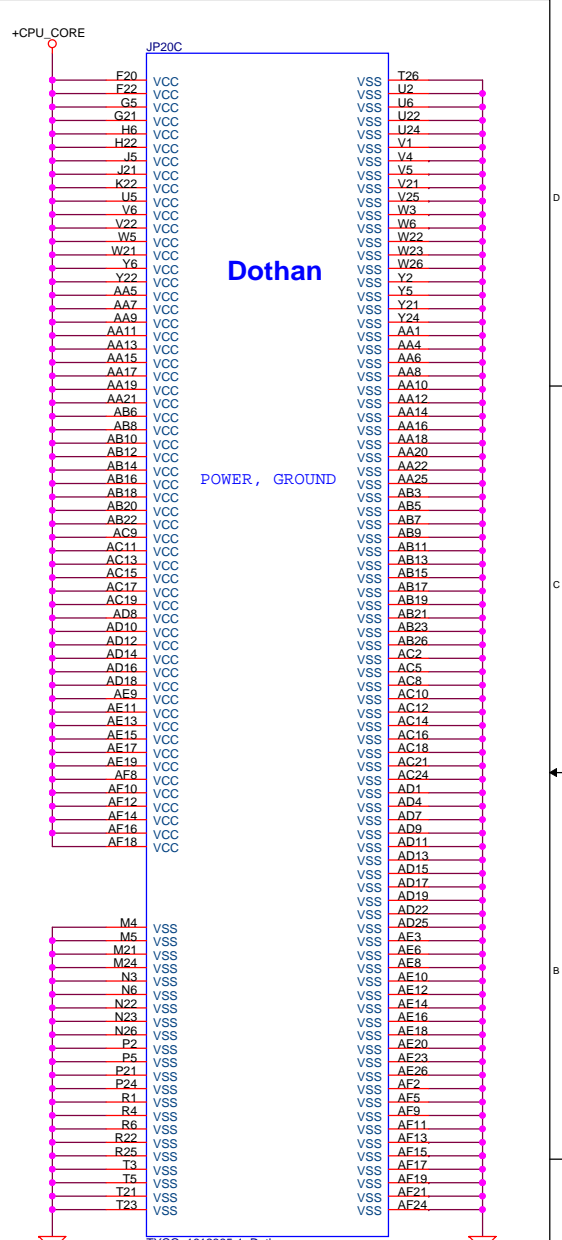
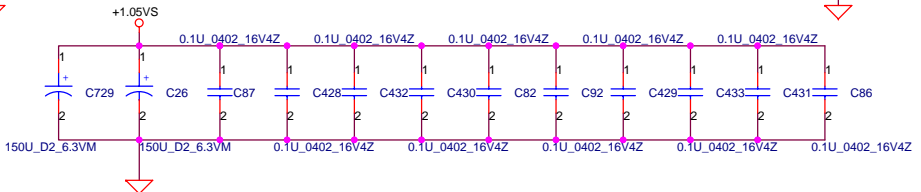


TRACE CLOSELY CPU < 0.5'

COMP0, COMP2 layout : Width 18mils and Space 25mils  
 COMP1, COMP3 layout : Space 25mils



Vcc-core Decoupling	C, uF	ESR, mohm	ESL, nH
SPCAP, Polymer	2X330uF	7m ohm/2	3.5nH/2
MLCC 0805 X5R	35X10uF	5m ohm/35	0.6nH/35



Dothan

POWER, GROUND

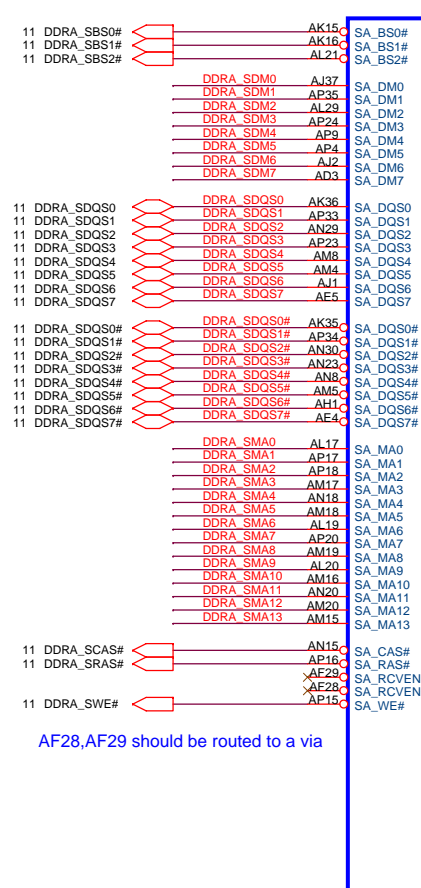
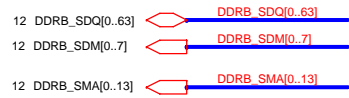
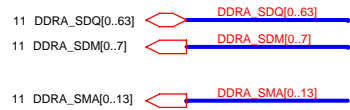
TYCO\_1612365-1\_Dothan

<BOM Structures>

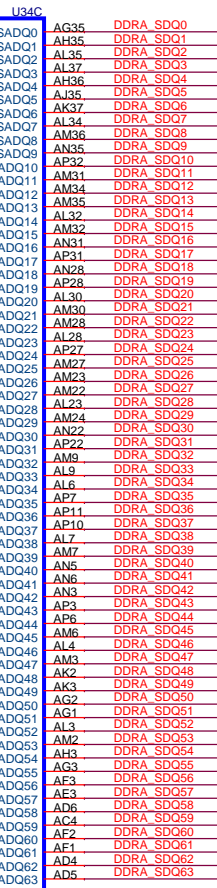
Security Classification	Compal Secret Data		Title		Compal Electronics, Inc.	
Issued Date	2005/03/25	Deciphered Date	2006/03/25	Dothan (2/2)		
THIS SHEET OF ENGINEERING DRAWING IS THE PROPRIETARY PROPERTY OF COMPAL ELECTRONICS, INC. AND CONTAINS CONFIDENTIAL AND TRADE SECRET INFORMATION. THIS SHEET MAY NOT BE TRANSFERRED FROM THE CUSTODY OF THE COMPETENT DIVISION OF R&D DEPARTMENT EXCEPT AS AUTHORIZED BY COMPAL ELECTRONICS, INC. NEITHER THIS SHEET NOR THE INFORMATION IT CONTAINS MAY BE USED BY OR DISCLOSED TO ANY THIRD PARTY WITHOUT PRIOR WRITTEN CONSENT OF COMPAL ELECTRONICS, INC.				Size	Document Number	Rev
				EBQ10 LA 741	1.0	
Date:	星期三, 四月 20, 2005	Sheet	5	of	49	







DDR MEMORY SYSTEM A

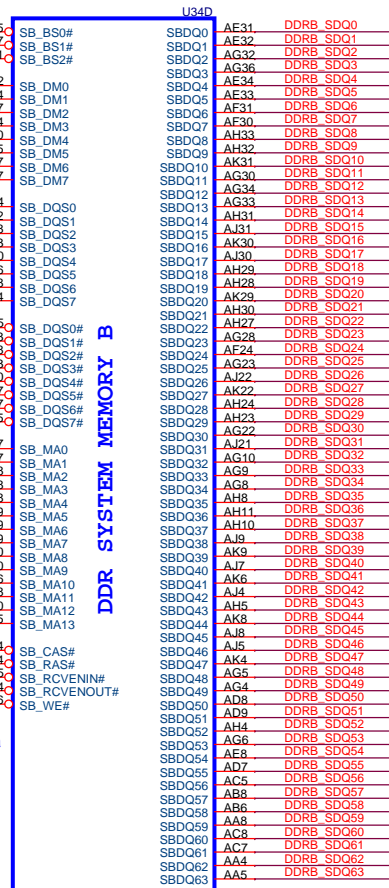


915GM@ ALVISO\_BGA1257

AF28,AF29 should be routed to a via



DDR SYSTEM MEMORY B

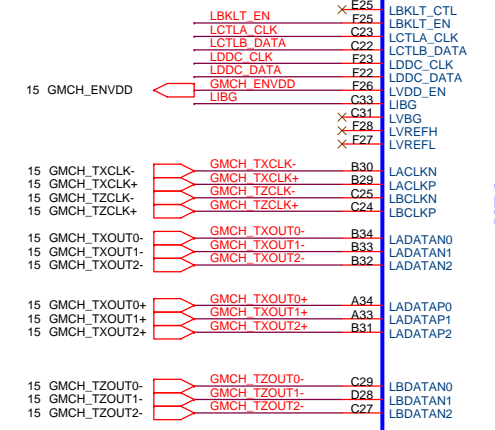
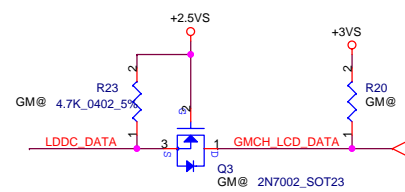
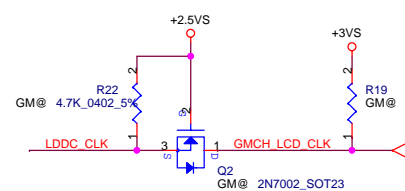
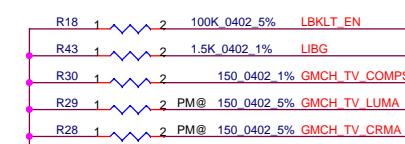
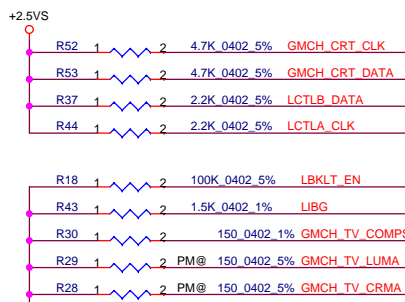
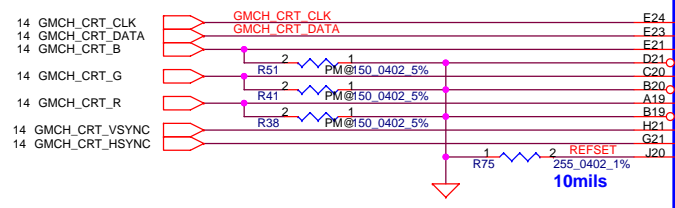
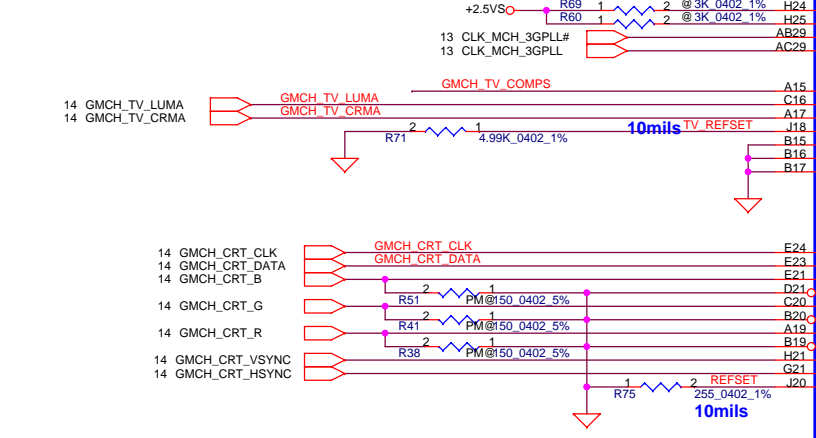
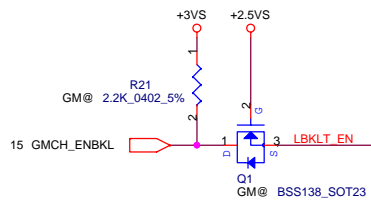


915GM@ ALVISO\_BGA1257

AF14,AF15 should be routed to a via

Security Classification	Compal Secret Data		Title	
Issued Date	2005/03/25	Deciphered Date	2006/03/25	Compal Electronics, Inc.
THIS SHEET OF ENGINEERING DRAWING IS THE PROPRIETARY PROPERTY OF COMPAL ELECTRONICS, INC. AND CONTAINS CONFIDENTIAL AND TRADE SECRET INFORMATION. THIS SHEET MAY NOT BE TRANSFERRED FROM THE CUSTODY OF THE COMPETENT DIVISION OF R&D DEPARTMENT EXCEPT AS AUTHORIZED BY COMPAL ELECTRONICS, INC. NEITHER THIS SHEET NOR THE INFORMATION IT CONTAINS MAY BE USED BY OR DISCLOSED TO ANY THIRD PARTY WITHOUT PRIOR WRITTEN CONSENT OF COMPAL ELECTRONICS, INC.				Document Number <b>EBQ10 LA-2741</b> Date: 星期三, 四月 20, 2005 Sheet 7 of 49

mailto:zhang@compal.com



ALVISO BGA1257  
915GM@

U34G

MTSC

TV

TV

VGA

VGA

VGA

VGA

VGA

VGA

VGA

VGA

VGA

VGA

VGA

VGA

VGA

VGA

VGA

VGA

VGA

VGA

VGA

VGA

VGA

EXP\_COMP1

EXP\_ICOMPO

EXP\_RXN0/SDVO\_TVCLKN#

EXP\_RXN1/SDVO\_INT#

EXP\_RXN2/SDVO\_FLDSTALL#

EXP\_RXN3

EXP\_RXN4

EXP\_RXN5

EXP\_RXN6

EXP\_RXN7

EXP\_RXN8

EXP\_RXN9

EXP\_RXN10

EXP\_RXN11

EXP\_RXN12

EXP\_RXN13

EXP\_RXN14

EXP\_RXN15

EXP\_RXP0/SDVO\_TVCLKN#

EXP\_RXP1/SDVO\_INT#

EXP\_RXP2/SDVO\_FLDSTALL#

EXP\_RXP3

EXP\_RXP4

EXP\_RXP5

EXP\_RXP6

EXP\_RXP7

EXP\_RXP8

EXP\_RXP9

EXP\_RXP10

EXP\_RXP11

EXP\_RXP12

EXP\_RXP13

EXP\_RXP14

EXP\_RXP15

D36

D34

E30

F34

G30

H34

J30

L30

M34

N30

P34

R30

T34

U30

V34

W30

Y34

D30

E34

F30

G34

H30

J34

K30

L34

M30

N34

P30

R34

T30

U34

V30

W34

Y34

EXP\_COMP1

EXP\_ICOMPO

EXP\_RXN0/SDVO\_TVCLKN#

EXP\_RXN1/SDVO\_INT#

EXP\_RXN2/SDVO\_FLDSTALL#

EXP\_RXN3

EXP\_RXN4

EXP\_RXN5

EXP\_RXN6

EXP\_RXN7

EXP\_RXN8

EXP\_RXN9

EXP\_RXN10

EXP\_RXN11

EXP\_RXN12

EXP\_RXN13

EXP\_RXN14

EXP\_RXN15

EXP\_RXP0/SDVO\_TVCLKN#

EXP\_RXP1/SDVO\_INT#

EXP\_RXP2/SDVO\_FLDSTALL#

EXP\_RXP3

EXP\_RXP4

EXP\_RXP5

EXP\_RXP6

EXP\_RXP7

EXP\_RXP8

EXP\_RXP9

EXP\_RXP10

EXP\_RXP11

EXP\_RXP12

EXP\_RXP13

EXP\_RXP14

EXP\_RXP15

D36

D34

E30

F34

G30

H34

J30

L30

M34

N30

P34

R30

T34

U30

V34

W30

Y34

D30

E34

F30

G34

H30

J34

K30

L34

M30

N34

P30

R34

T30

U34

V30

W34

Y34

EXP\_COMP1

EXP\_ICOMPO

EXP\_RXN0/SDVO\_TVCLKN#

EXP\_RXN1/SDVO\_INT#

EXP\_RXN2/SDVO\_FLDSTALL#

EXP\_RXN3

EXP\_RXN4

EXP\_RXN5

EXP\_RXN6

EXP\_RXN7

EXP\_RXN8

EXP\_RXN9

EXP\_RXN10

EXP\_RXN11

EXP\_RXN12

EXP\_RXN13

EXP\_RXN14

EXP\_RXN15

EXP\_RXP0/SDVO\_TVCLKN#

EXP\_RXP1/SDVO\_INT#

EXP\_RXP2/SDVO\_FLDSTALL#

EXP\_RXP3

EXP\_RXP4

EXP\_RXP5

EXP\_RXP6

EXP\_RXP7

EXP\_RXP8

EXP\_RXP9

EXP\_RXP10

EXP\_RXP11

EXP\_RXP12

EXP\_RXP13

EXP\_RXP14

EXP\_RXP15

D36

D34

E30

F34

G30

H34

J30

L30

M34

N30

P34

R30

T34

U30

V34

W30

Y34

D30

E34

F30

G34

H30

J34

K30

L34

M30

N34

P30

R34

T30

U34

V30

W34

Y34

EXP\_COMP1

EXP\_ICOMPO

EXP\_RXN0/SDVO\_TVCLKN#

EXP\_RXN1/SDVO\_INT#

EXP\_RXN2/SDVO\_FLDSTALL#

EXP\_RXN3

EXP\_RXN4

EXP\_RXN5

EXP\_RXN6

EXP\_RXN7

EXP\_RXN8

EXP\_RXN9

EXP\_RXN10

EXP\_RXN11

EXP\_RXN12

EXP\_RXN13

EXP\_RXN14

EXP\_RXN15

EXP\_RXP0/SDVO\_TVCLKN#

EXP\_RXP1/SDVO\_INT#

EXP\_RXP2/SDVO\_FLDSTALL#

EXP\_RXP3

EXP\_RXP4

EXP\_RXP5

EXP\_RXP6

EXP\_RXP7

EXP\_RXP8

EXP\_RXP9

EXP\_RXP10

EXP\_RXP11

EXP\_RXP12

EXP\_RXP13

EXP\_RXP14

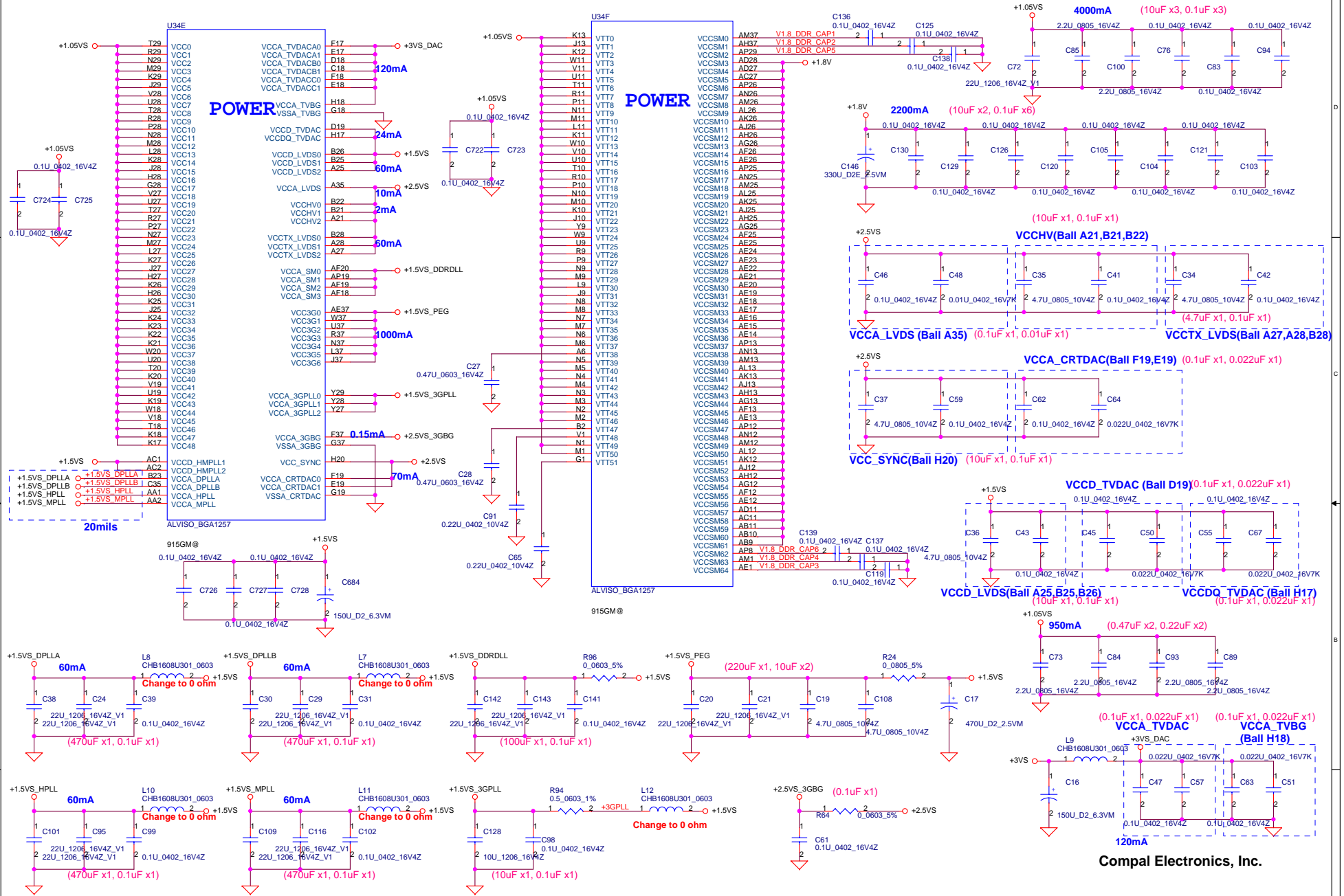
EXP\_RXP15

D36

D34

E30

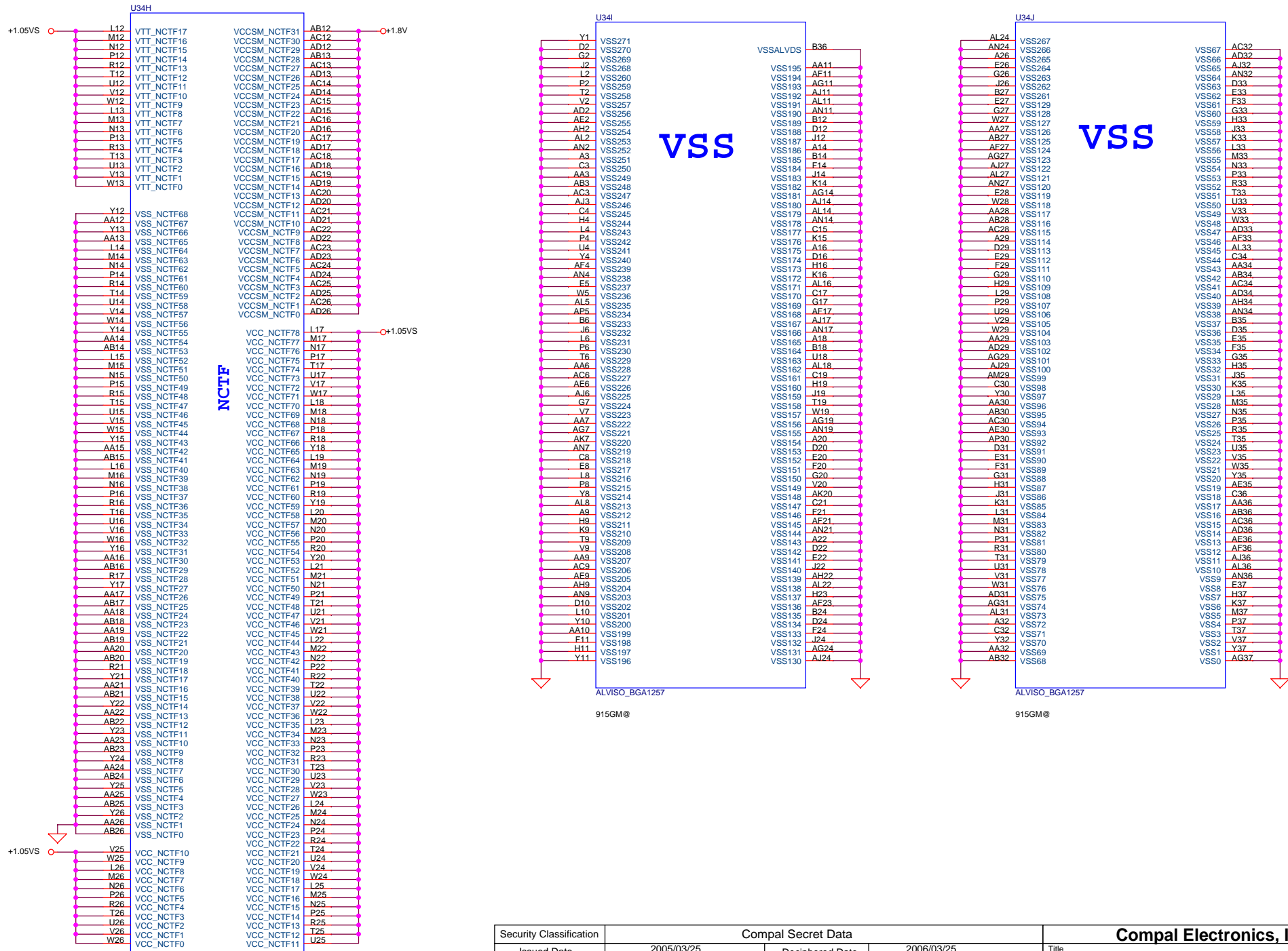




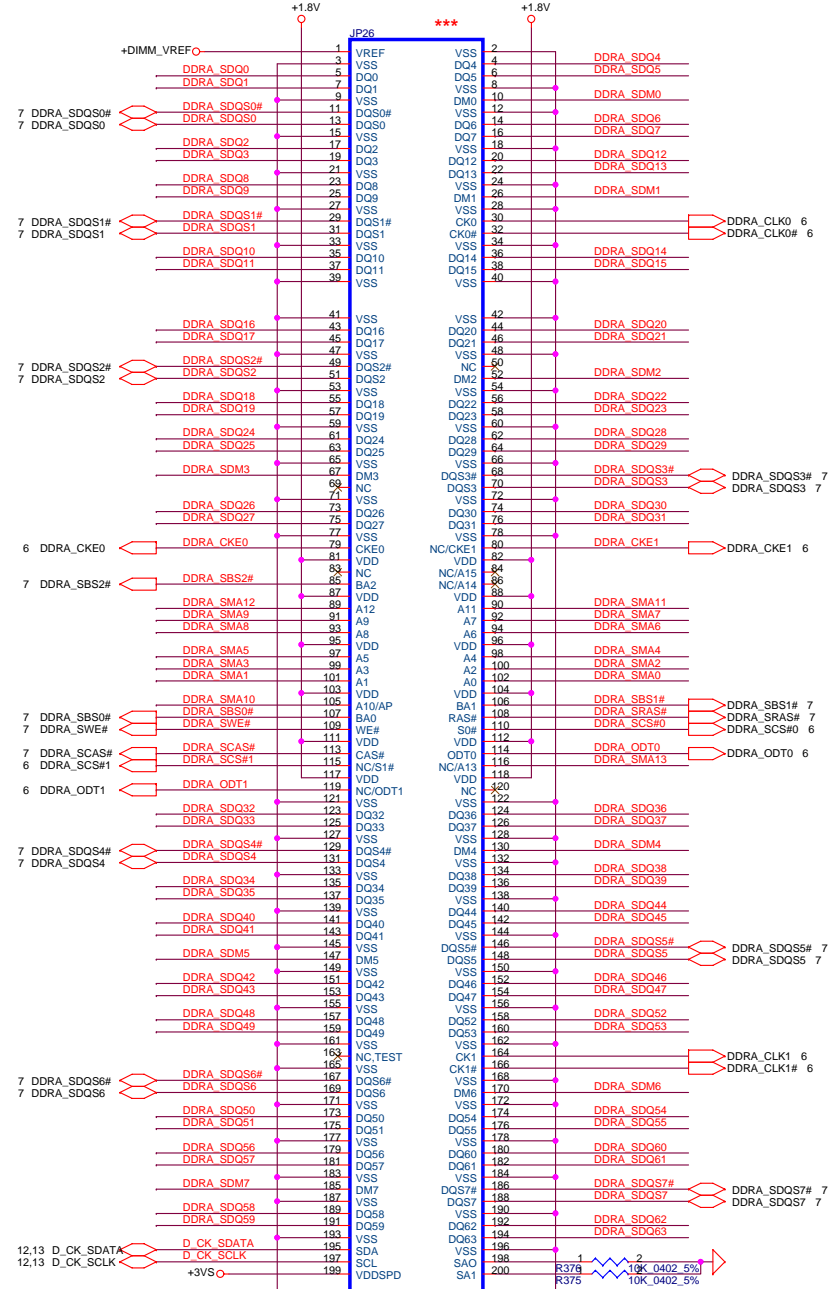
Compal Electronics, Inc.

Security Classification	Compal Secret Data			Compal Electronics, Inc.	
Issued Date	2005/03/25	Deciphered Date	2006/03/25	Title <b>Alviso POWER(4/5)</b>	
THIS SHEET OF ENGINEERING DRAWING IS THE PROPRIETARY PROPERTY OF COMPAL ELECTRONICS, INC. AND CONTAINS CONFIDENTIAL AND TRADE SECRET INFORMATION. THIS SHEET IS NOT TO BE TRANSFERRED FROM THE CUSTODY OF THE COMPETENT DIVISION OF R&D DEPARTMENT EXCEPT AS AUTHORIZED BY COMPAL ELECTRONICS, INC. NEITHER THIS SHEET NOR THE INFORMATION IT CONTAINS MAY BE USED BY OR DISCLOSED TO ANY THIRD PARTY WITHOUT PRIOR WRITTEN CONSENT OF COMPAL ELECTRONICS, INC.				Document Number	Rev
				<b>EBQ10 LA-2741</b>	1.0
Date:	星期二, 四月 20, 2005	Sheet	9	of 49	

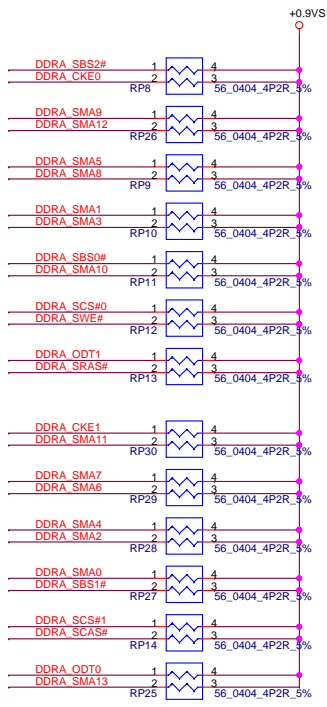
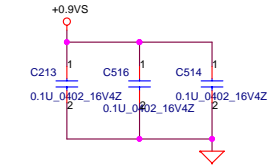
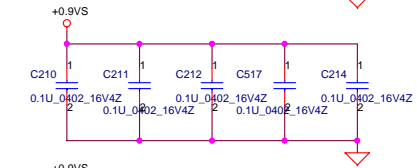
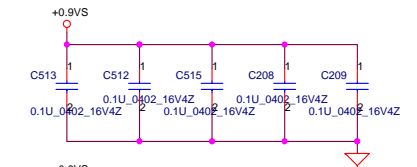
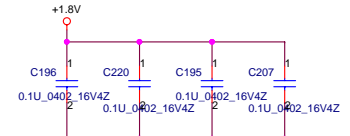
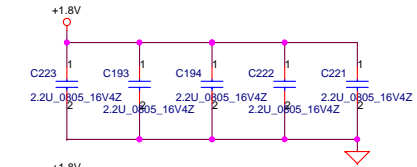
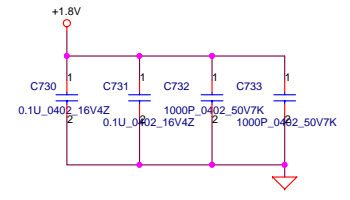
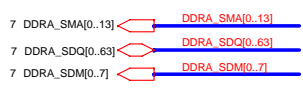
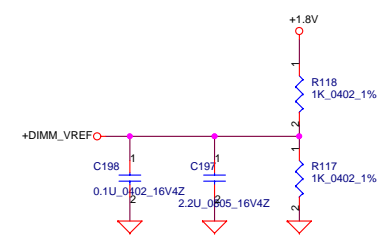
hexinai@hotmail.com



Security Classification	Compal Secret Data		Title	
Issued Date	2005/03/25	Deciphered Date	2006/03/25	Compal Electronics, Inc.
THIS SHEET OF ENGINEERING DRAWING IS THE PROPRIETARY PROPERTY OF COMPAL ELECTRONICS, INC. AND CONTAINS CONFIDENTIAL AND TRADE SECRET INFORMATION. THIS SHEET MAY NOT BE TRANSFERRED FROM THE CUSTODY OF THE COMPETENT DIVISION OF R&D DEPARTMENT EXCEPT AS AUTHORIZED BY COMPAL ELECTRONICS, INC. NEITHER THIS SHEET NOR THE INFORMATION IT CONTAINS MAY BE USED BY OR DISCLOSED TO ANY THIRD PARTY WITHOUT PRIOR WRITTEN CONSENT OF COMPAL ELECTRONICS, INC.				Document Number <b>EBQ10 LA-2741</b>
Date	星期三, 四月 20, 2005	Sheet	10	Rev 1.0

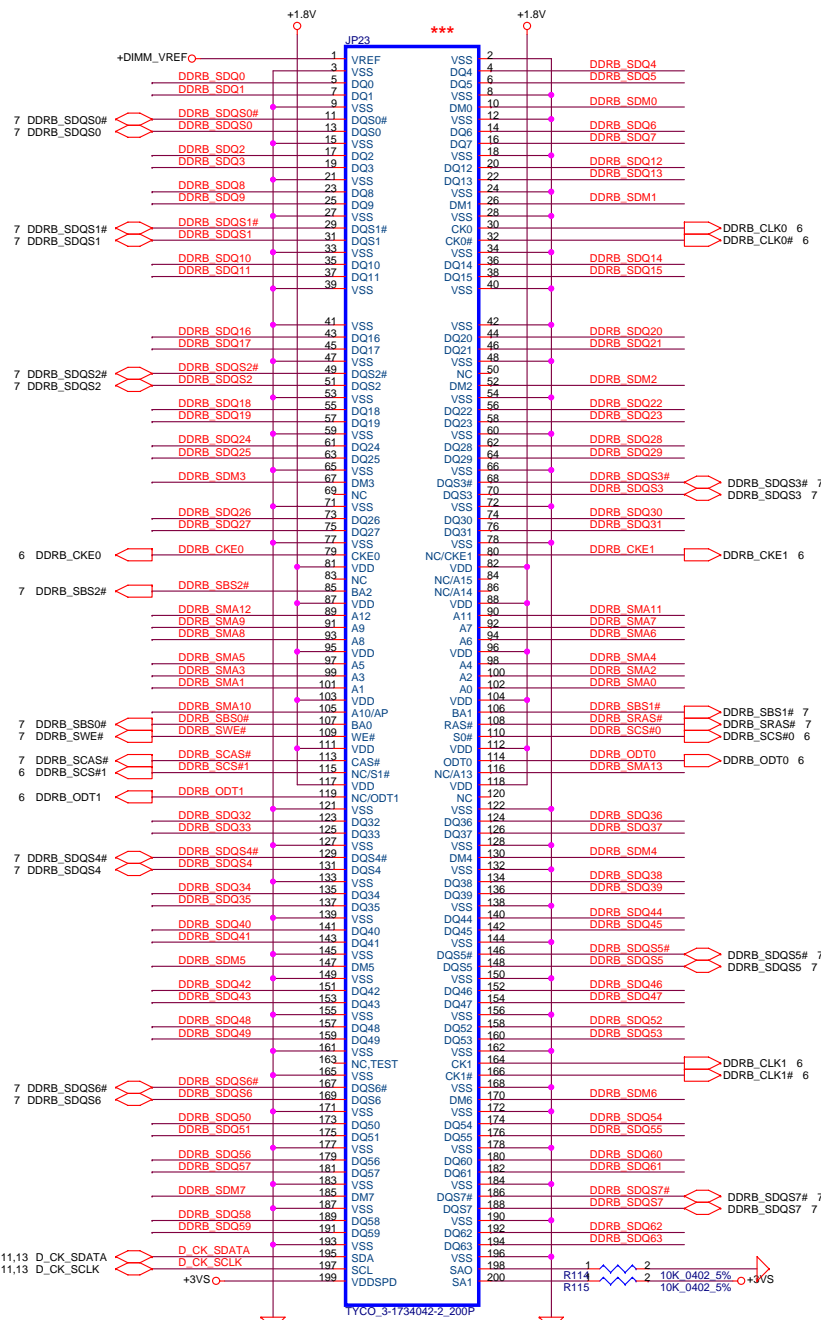


DIMM0 STD H:5.2mm (BOT)

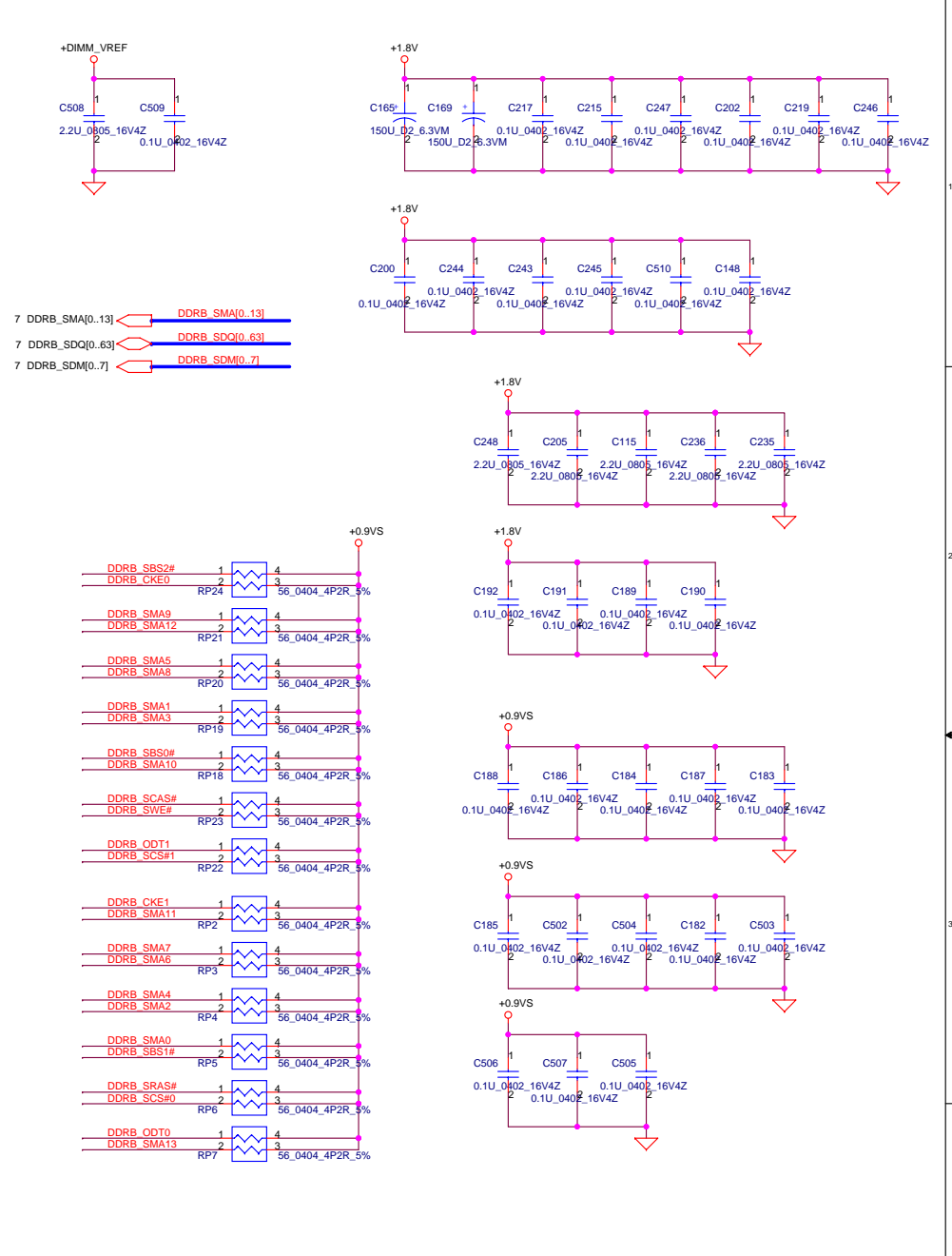


Security Classification	Compal Secret Data		Compal Electronics, Inc.	
Issued Date	2005/03/25	Deciphered Date	2006/03/25	Title
				<b>DDRII SODIMM SLOTO</b>
THIS SHEET OF ENGINEERING DRAWING IS THE PROPRIETARY PROPERTY OF COMPAL ELECTRONICS, INC. AND CONTAINS CONFIDENTIAL AND TRADE SECRET INFORMATION. THIS SHEET MAY NOT BE TRANSFERRED FROM THE CUSTODY OF THE COMPETENT DIVISION OF R&D DEPARTMENT EXCEPT AS AUTHORIZED BY COMPAL ELECTRONICS, INC. NEITHER THIS SHEET NOR THE INFORMATION IT CONTAINS MAY BE USED BY OR DISCLOSED TO ANY THIRD PARTY WITHOUT PRIOR WRITTEN CONSENT OF COMPAL ELECTRONICS, INC.				Document Number
				<b>EBQ10 LA-2741</b>
Date:	星期二, 四月 25, 2005	Sheet	1	Rev 1.0
				of 49

hexain@hotmail.com



**DIMM1 STD H:9.2mm (BOT)**

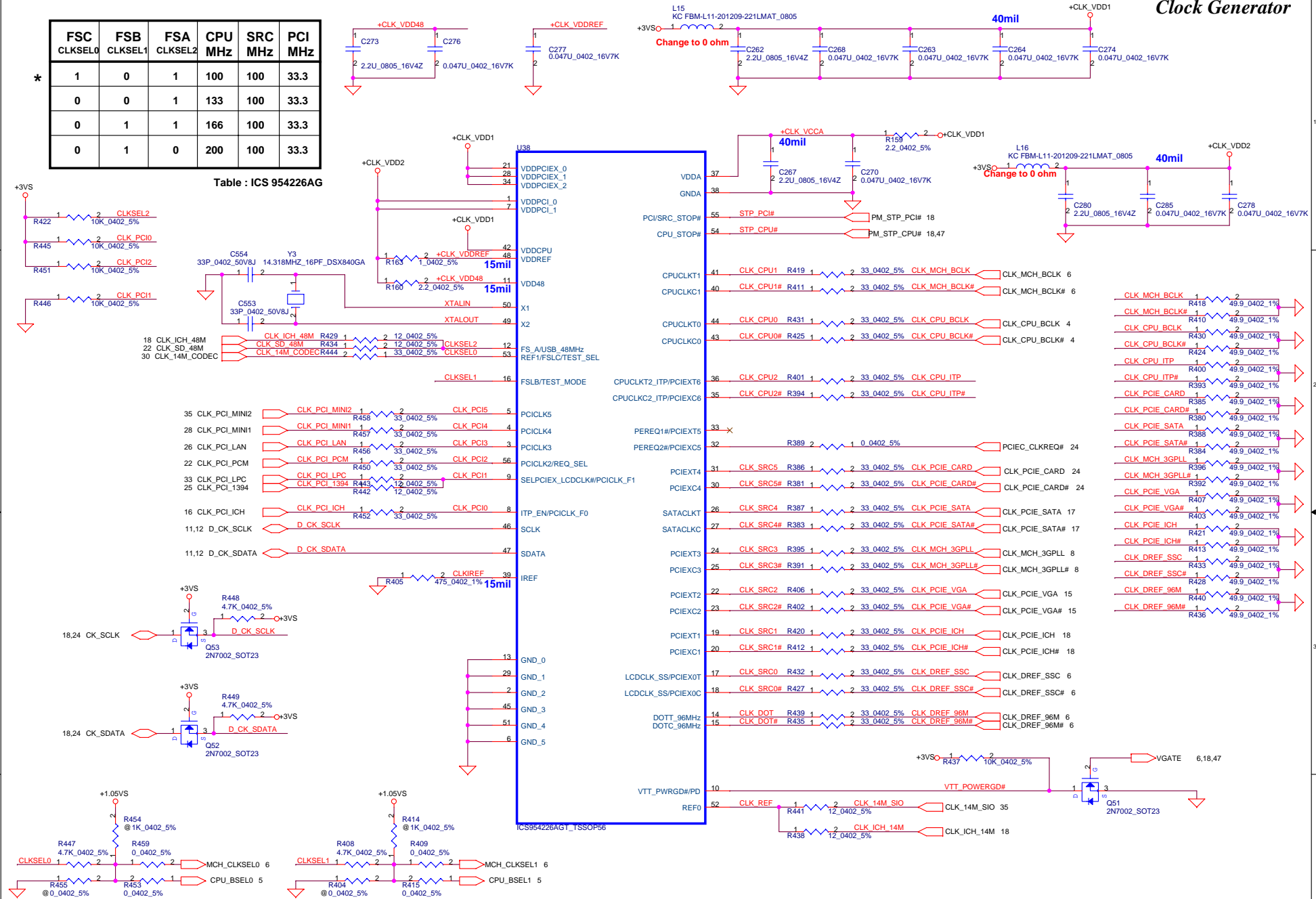


Security Classification	Compal Secret Data			Compal Electronics, Inc.	
Issued Date	2005/03/25	Deciphered Date	2006/03/25	Title	
				DDR II-SODIMM SLOT1	
THIS SHEET OF ENGINEERING DRAWING IS THE PROPRIETARY PROPERTY OF COMPAL ELECTRONICS, INC. AND CONTAINS CONFIDENTIAL AND TRADE SECRET INFORMATION. THIS SHEET MAY NOT BE TRANSFERRED FROM THE CUSTODY OF THE COMPETENT DIVISION OF R&D DEPARTMENT EXCEPT AS AUTHORIZED BY COMPAL ELECTRONICS, INC. NEITHER THIS SHEET NOR THE INFORMATION IT CONTAINS MAY BE USED BY OR DISCLOSED TO ANY THIRD PARTY WITHOUT PRIOR WRITTEN CONSENT OF COMPAL ELECTRONICS, INC.				Document Number	Rev
				EBQ10 LA-2741	1.0
				Date	Rev
				2005年04月20日	12 of 49

# Clock Generator

FSC	FSB	FSA	CPU	SRC	PCI
CLKSEL0	CLKSEL1	CLKSEL2	MHz	MHz	MHz
1	0	1	100	100	33.3
0	0	1	133	100	33.3
0	1	1	166	100	33.3
0	1	0	200	100	33.3

Table : ICS 954226AG



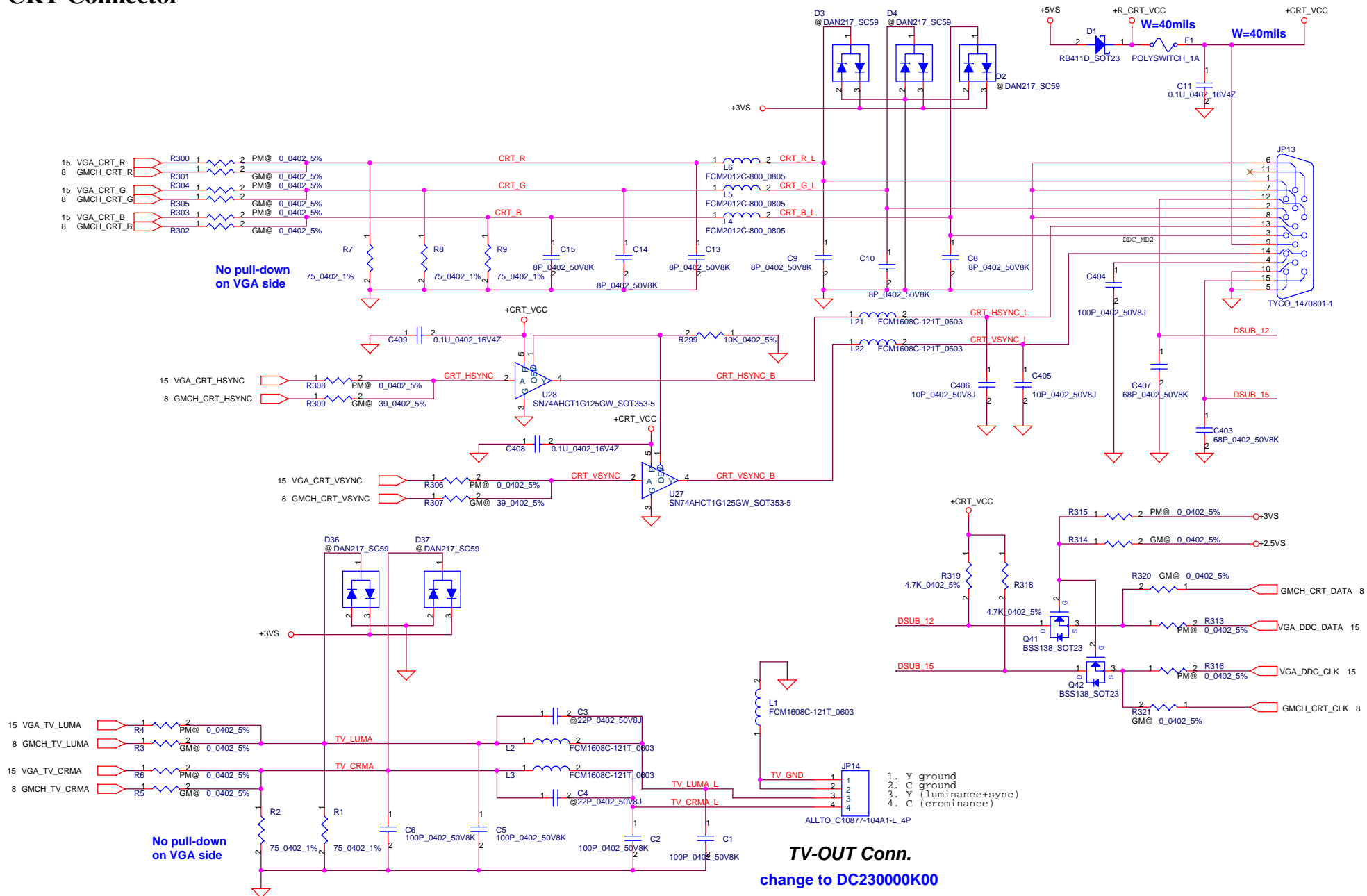
Security Classification	Compal Secret Data		Issued Date	Deciphered Date	2006/03/25
THIS SHEET OF ENGINEERING DRAWING IS THE PROPRIETARY PROPERTY OF COMPAL ELECTRONICS, INC. AND CONTAINS CONFIDENTIAL AND TRADE SECRET INFORMATION. THIS SHEET MAY NOT BE TRANSFERRED FROM THE CUSTODY OF THE COMPETENT DIVISION OF R&D DEPARTMENT EXCEPT AS AUTHORIZED BY COMPAL ELECTRONICS, INC. NEITHER THIS SHEET NOR THE INFORMATION IT CONTAINS MAY BE USED BY OR DISCLOSED TO ANY THIRD PARTY WITHOUT PRIOR WRITTEN CONSENT OF COMPAL ELECTRONICS, INC.					

Compal Electronics, Inc.			
Clock Generator			
Title	Document Number	Rev	Date
EBQ10 LA-2741		1.0	Rev 1.0
Date: 2005/04/20	Sheet 13	of 49	

hexair@hotmail.com



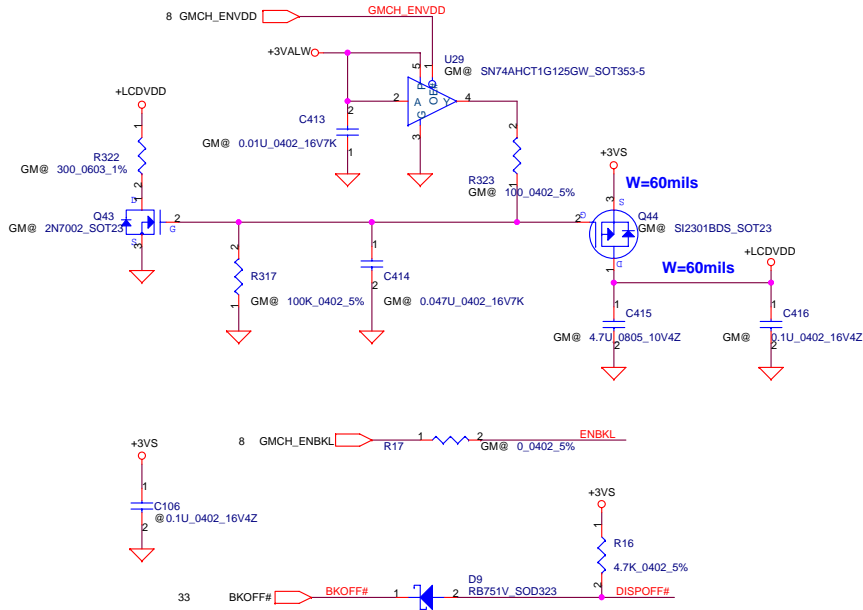
# CRT Connector



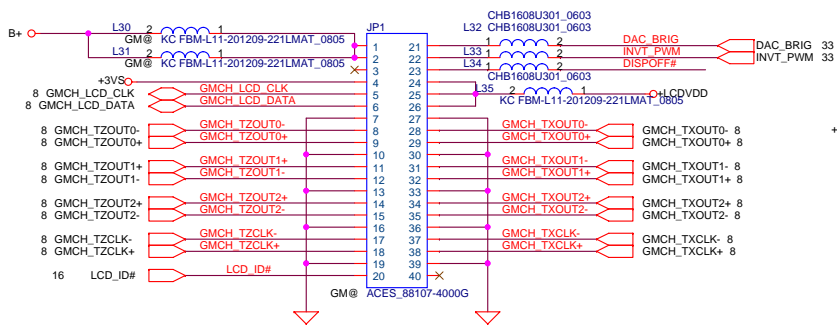
Security Classification	Compal Secret Data		Compal Electronics, Inc.	
Issued Date	2005/03/25	Deciphered Date	2006/03/25	Title
THIS SHEET OF ENGINEERING DRAWING IS THE PROPRIETARY PROPERTY OF COMPAL ELECTRONICS, INC. AND CONTAINS CONFIDENTIAL AND TRADE SECRET INFORMATION. THIS SHEET MAY NOT BE TRANSFERRED FROM THE CUSTODY OF THE COMPETENT DIVISION OF R&D DEPARTMENT EXCEPT AS AUTHORIZED BY COMPAL ELECTRONICS, INC. NEITHER THIS SHEET NOR THE INFORMATION IT CONTAINS MAY BE USED BY OR DISCLOSED TO ANY THIRD PARTY WITHOUT PRIOR WRITTEN CONSENT OF COMPAL ELECTRONICS, INC.				Document Number <b>EBQ10 LA-2741</b>
Date:	星期二, 四月 20, 2005	Sheet	14 of 49	Rev 1.0



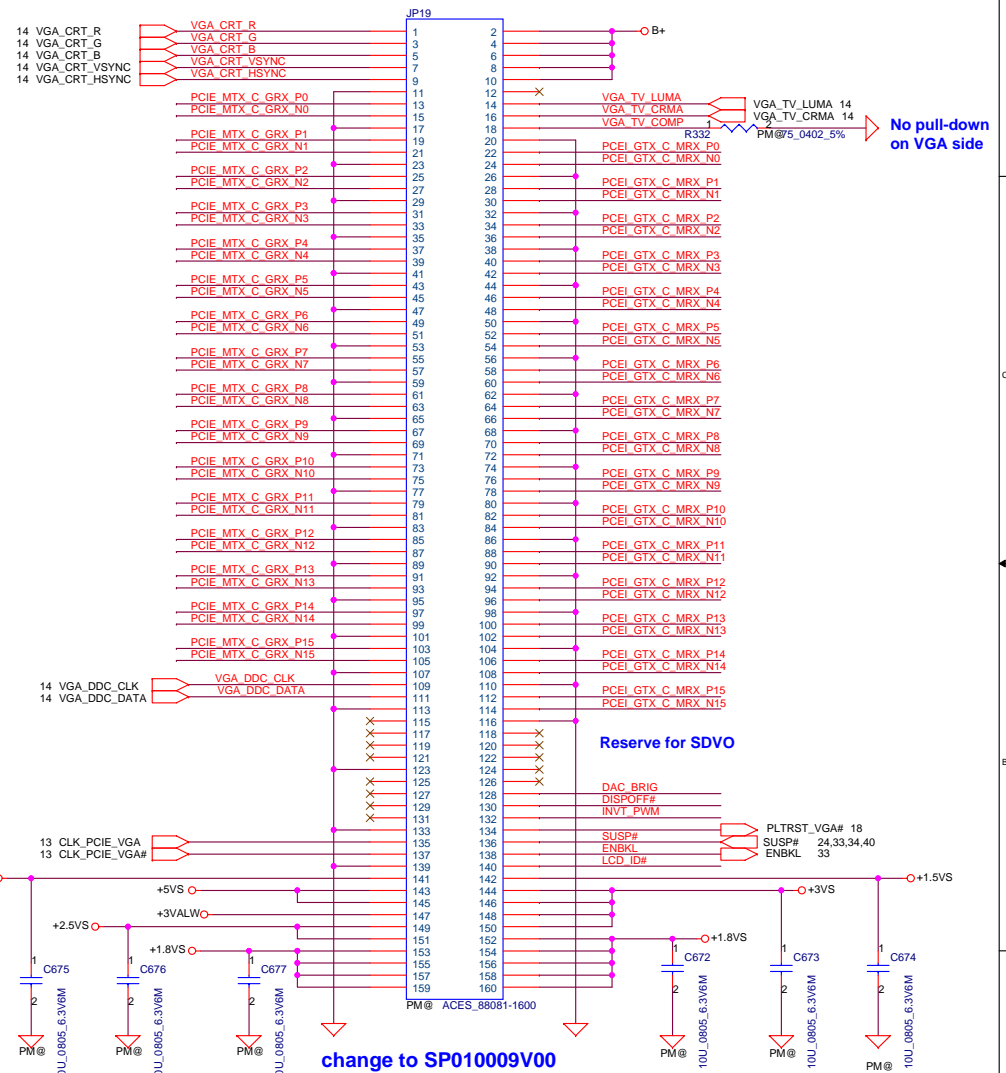
### LCD POWER CIRCUIT



### LCD/PANEL BD. Conn.

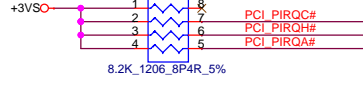
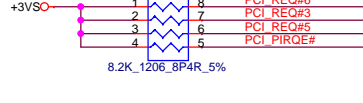
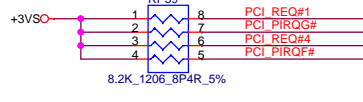
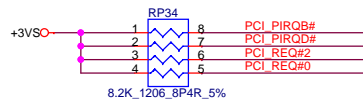
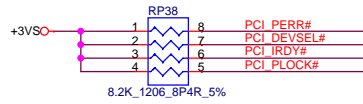
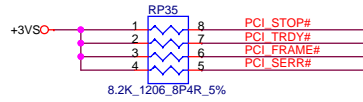


### VGA BOARD Conn.



Security Classification		Compal Secret Data		Title	
Issued Date	2005/03/25	Deciphered Date	2006/03/25	Compal Electronics, Inc.	
THIS SHEET OF ENGINEERING DRAWING IS THE PROPRIETARY PROPERTY OF COMPAL ELECTRONICS, INC. AND CONTAINS CONFIDENTIAL AND TRADE SECRET INFORMATION. THIS SHEET MAY NOT BE TRANSFERRED FROM THE CUSTODY OF THE COMPETENT DIVISION OF R&D DEPARTMENT EXCEPT AS AUTHORIZED BY COMPAL ELECTRONICS, INC. NEITHER THIS SHEET NOR THE INFORMATION IT CONTAINS MAY BE USED BY OR DISCLOSED TO ANY THIRD PARTY WITHOUT PRIOR WRITTEN CONSENT OF COMPAL ELECTRONICS, INC.				Document Number	Rev
				<b>EBQ10 LA-2741</b>	1.0
Date:	星期三, 四月 20, 2005	Sheet	15	of 49	

hexair@hotmail.com

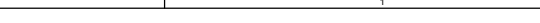
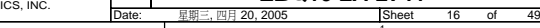
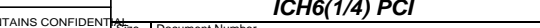
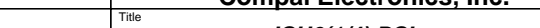
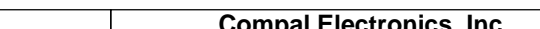
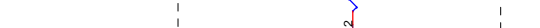
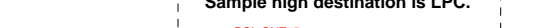
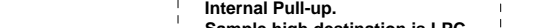
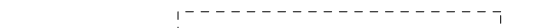
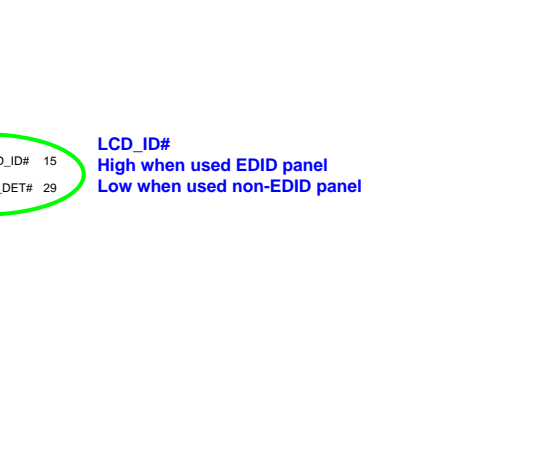
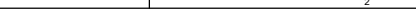
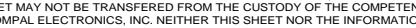
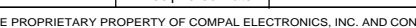
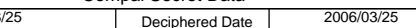
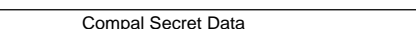
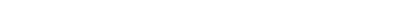
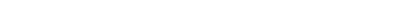
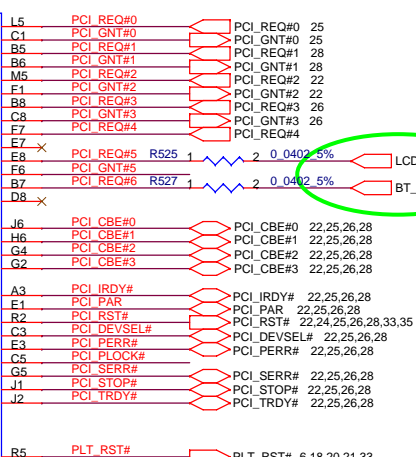
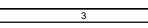
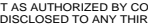
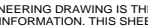
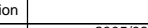
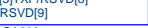
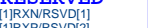
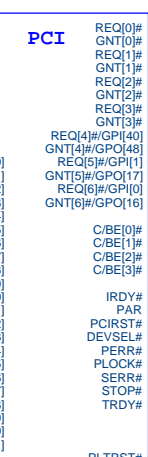
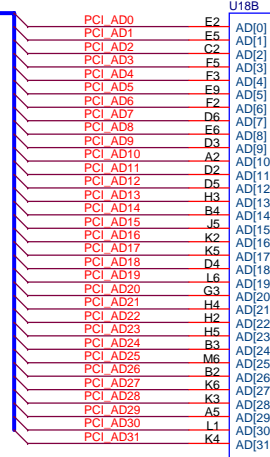


22,25,26,28 PCI\_AD[0..31]

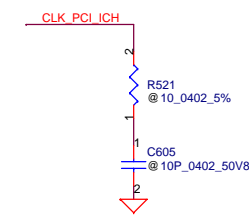
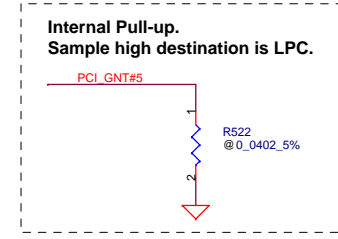
22,25,26,28 PCI\_FRAME#

22 PCI\_PIRQA#

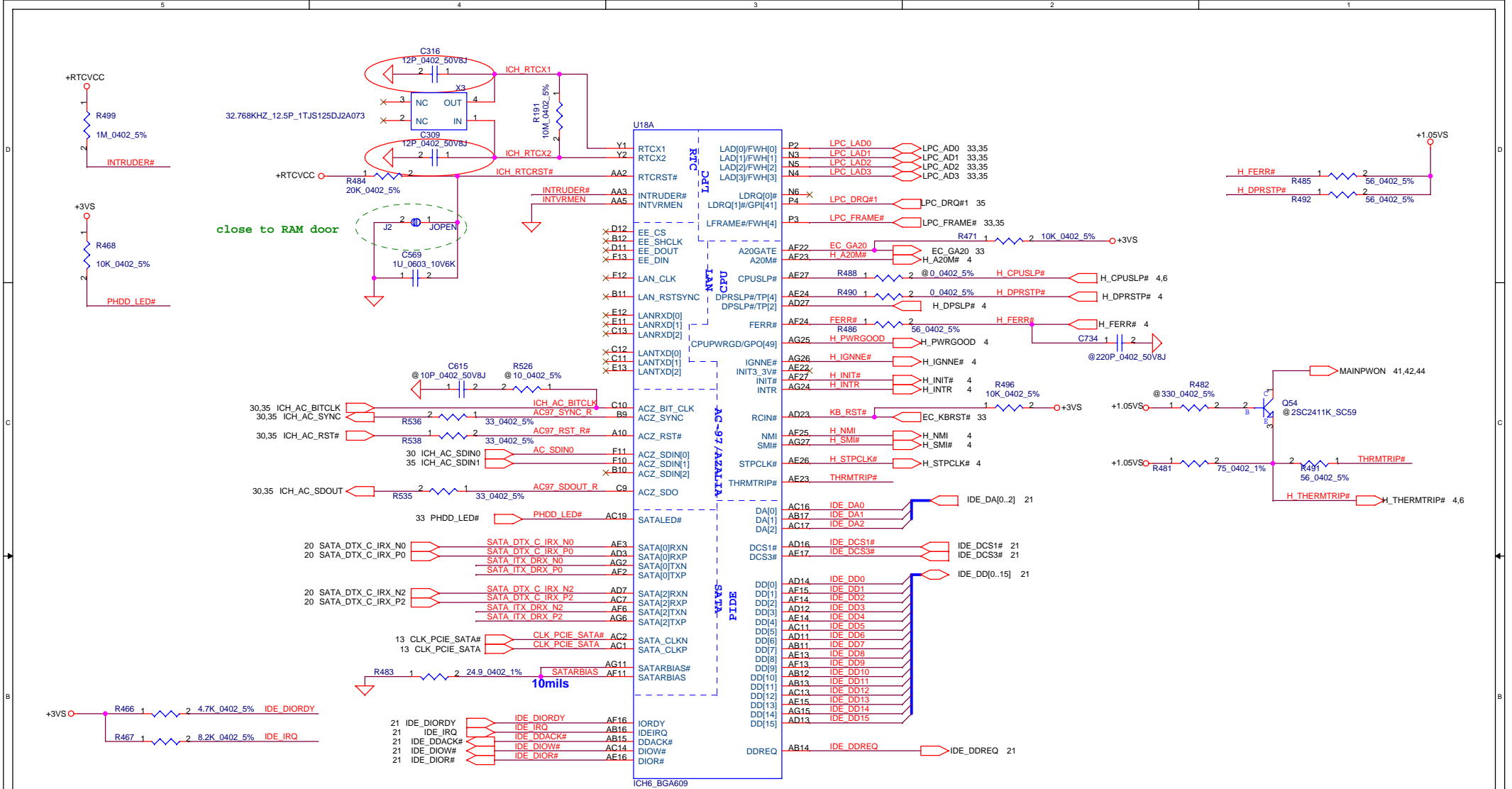
22 PCI\_PIRQB#



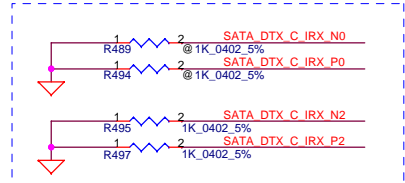
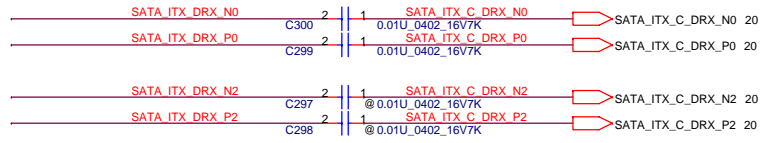
LCD\_ID#  
High when used EDID panel  
Low when used non-EDID panel



Security Classification		Compal Secret Data		Title	
Issued Date	2005/03/25	Deciphered Date	2006/03/25	Compal Electronics, Inc.	
THIS SHEET OF ENGINEERING DRAWING IS THE PROPRIETARY PROPERTY OF COMPAL ELECTRONICS, INC. AND CONTAINS CONFIDENTIAL AND TRADE SECRET INFORMATION. THIS SHEET MAY NOT BE TRANSFERRED FROM THE CUSTODY OF THE COMPETENT DIVISION OF RESEARCH AND DEVELOPMENT EXCEPT AS AUTHORIZED BY COMPAL ELECTRONICS, INC. NEITHER THIS SHEET NOR THE INFORMATION IT CONTAINS MAY BE USED BY OR DISCLOSED TO ANY THIRD PARTY WITHOUT PRIOR WRITTEN CONSENT OF COMPAL ELECTRONICS, INC.				Document Number	Rev
				EBQ10 LA-2741	1.0
Date:	星期三, 四月 20, 2005	Sheet	16	of	49

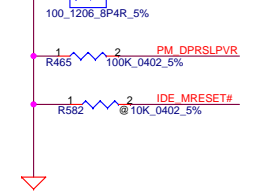
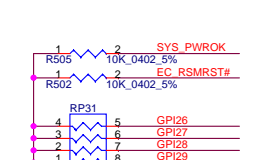
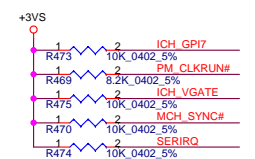
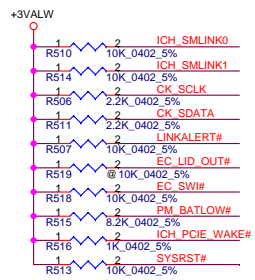


Place near ICH6 side.

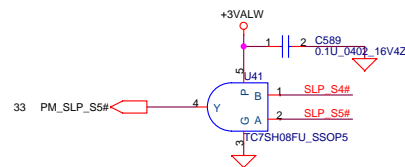
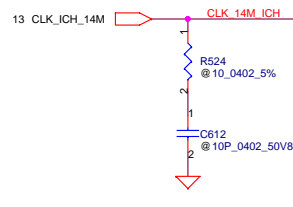
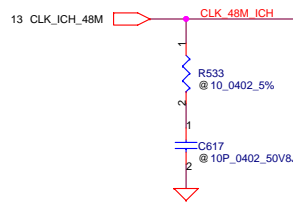
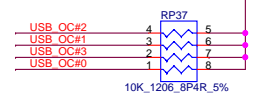
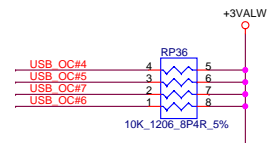
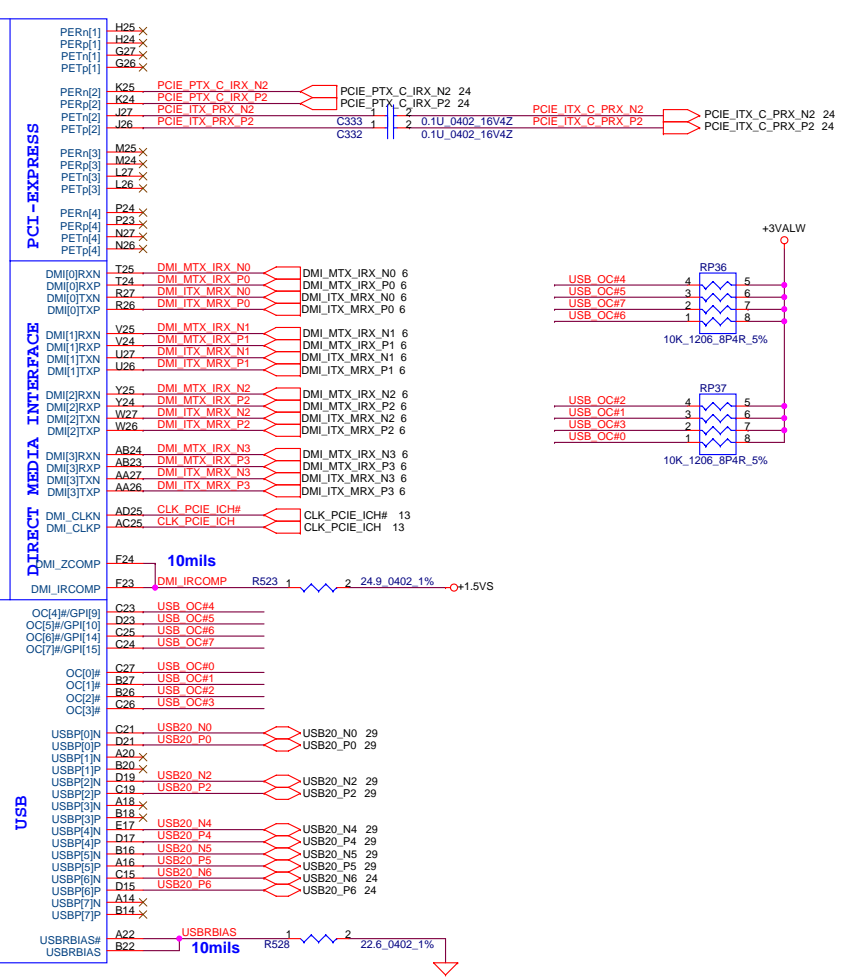
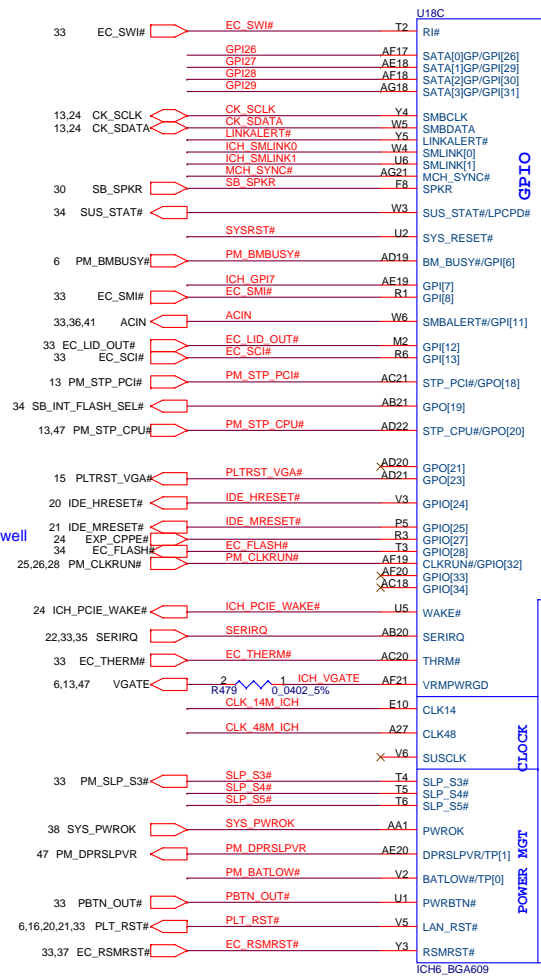


SATA\_RxN/p need tie to ground when SATA port not used

Security Classification	Compal Secret Data		Compal Electronics, Inc.	
Issued Date	2005/03/25	Deciphered Date	2006/03/25	Title
THIS SHEET OF ENGINEERING DRAWING IS THE PROPRIETARY PROPERTY OF COMPAL ELECTRONICS, INC. AND CONTAINS CONFIDENTIAL AND TRADE SECRET INFORMATION. THIS SHEET MAY NOT BE TRANSFERRED FROM THE CUSTODY OF THE COMPETENT DIVISION OF R&D DEPARTMENT EXCEPT AS AUTHORIZED BY COMPAL ELECTRONICS, INC. NEITHER THIS SHEET NOR THE INFORMATION IT CONTAINS MAY BE USED BY OR DISCLOSED TO ANY THIRD PARTY WITHOUT PRIOR WRITTEN CONSENT OF COMPAL ELECTRONICS, INC.				ICH6(2/4) CPU, AC97, IDE, LPC EBQ10 LA-2741
Date:	星期一, 四月 25, 2005	Sheet	17 of 49	Rev 1.0



resume power well



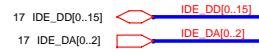
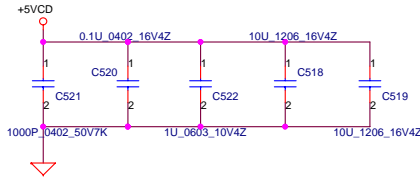
Security Classification	Compal Secret Data		Compal Electronics, Inc.	
Issued Date	2005/03/25	Deciphered Date	2006/03/25	Title
THIS SHEET OF ENGINEERING DRAWING IS THE PROPRIETARY PROPERTY OF COMPAL ELECTRONICS, INC. AND CONTAINS CONFIDENTIAL AND TRADE SECRET INFORMATION. THIS SHEET MAY NOT BE TRANSFERRED FROM THE CUSTODY OF THE COMPETENT DIVISION OF R&D DEPARTMENT EXCEPT AS AUTHORIZED BY COMPAL ELECTRONICS, INC. NEITHER THIS SHEET NOR THE INFORMATION IT CONTAINS MAY BE USED BY OR DISCLOSED TO ANY THIRD PARTY WITHOUT PRIOR WRITTEN CONSENT OF COMPAL ELECTRONICS, INC.				Document Number
				<b>EBQ10 LA-2741</b>
				Rev 1.0
Date:	星期二, 四月 20, 2005	Sheet	18	of 49



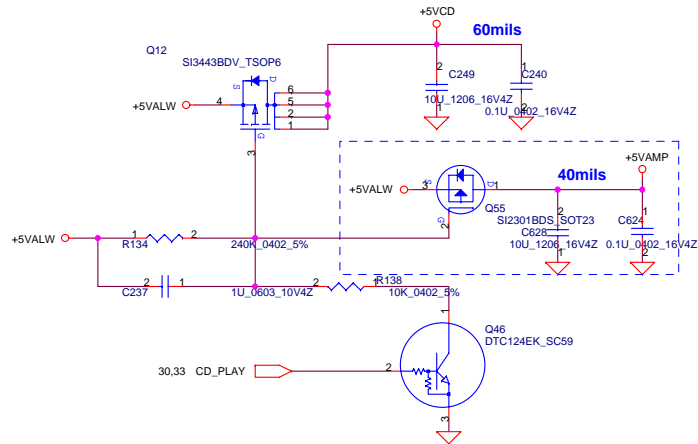
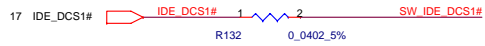
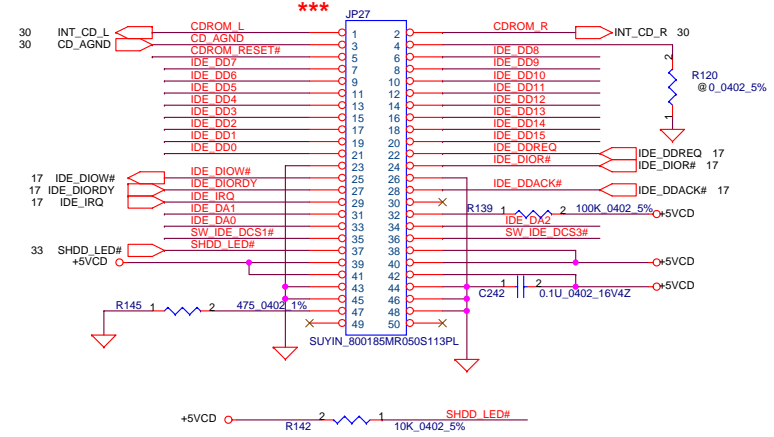




Placea caps. near ODD CONN.



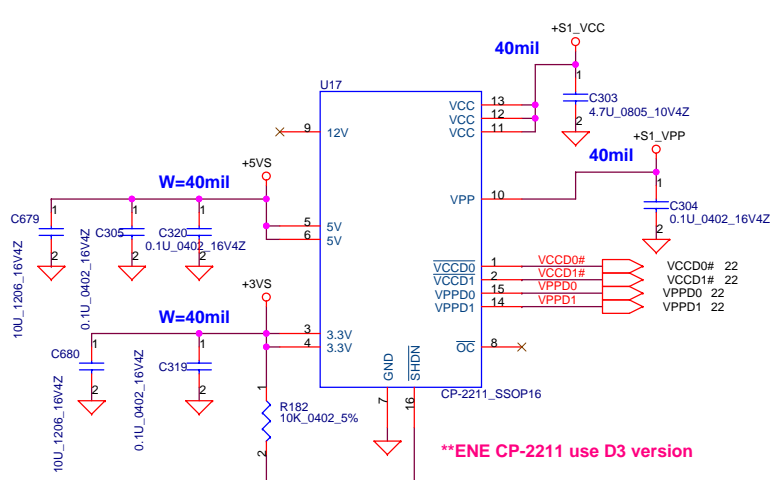
ODD Conn. (EAT10)



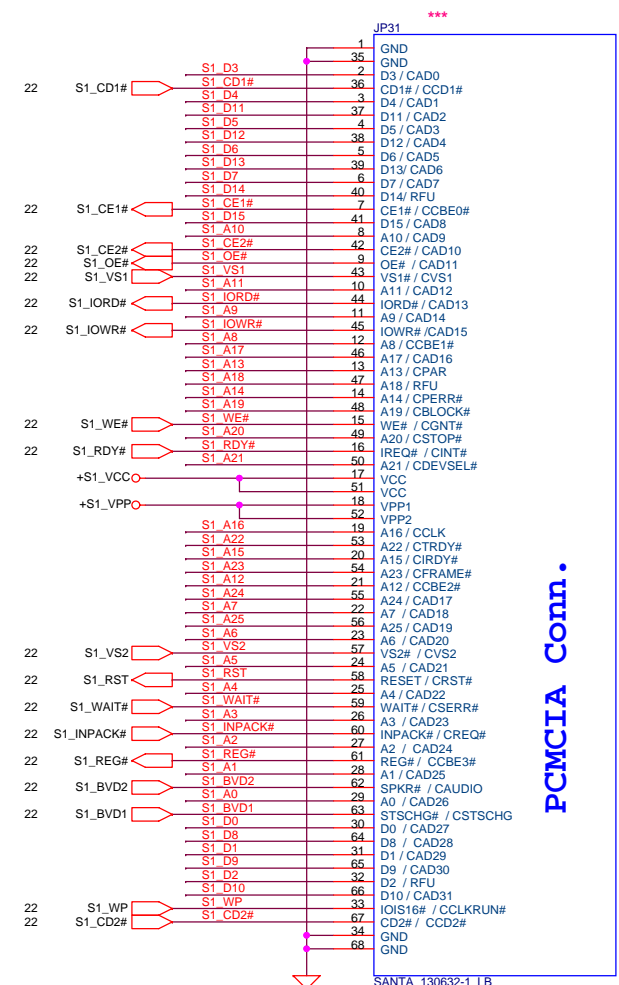
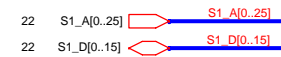
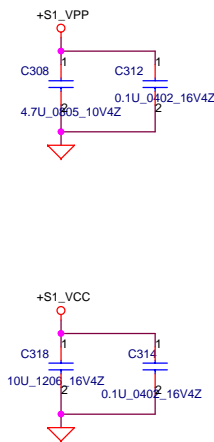
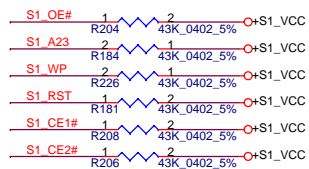
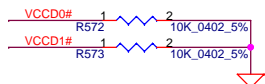
Security Classification	Compal Secret Data		Compal Electronics, Inc.	
Issued Date	2005/03/25	Deciphered Date	2006/03/25	Title
THIS SHEET OF ENGINEERING DRAWING IS THE PROPRIETARY PROPERTY OF COMPAL ELECTRONICS, INC. AND CONTAINS CONFIDENTIAL AND TRADE SECRET INFORMATION. THIS SHEET MAY NOT BE TRANSFERRED FROM THE CUSTODY OF THE COMPETENT DIVISION OF R&D DEPARTMENT EXCEPT AS AUTHORIZED BY COMPAL ELECTRONICS, INC. NEITHER THIS SHEET NOR THE INFORMATION IT CONTAINS MAY BE USED BY OR DISCLOSED TO ANY THIRD PARTY WITHOUT PRIOR WRITTEN CONSENT OF COMPAL ELECTRONICS, INC.				Document Number
				EBQ10 LA-2741
				Rev 1.0
				Date: 星期二, 四月 20, 2005 Sheet 2 of 49

hexair@hotmail.com





\*\*ENE CP-2211 use D3 version

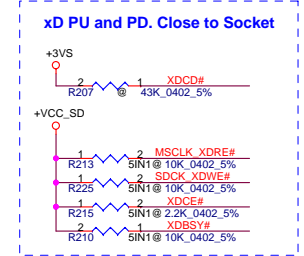
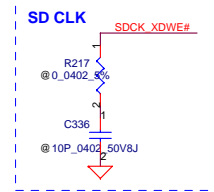
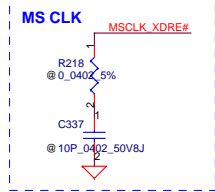
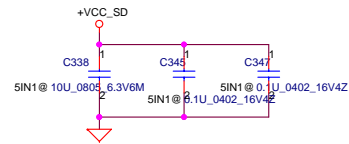
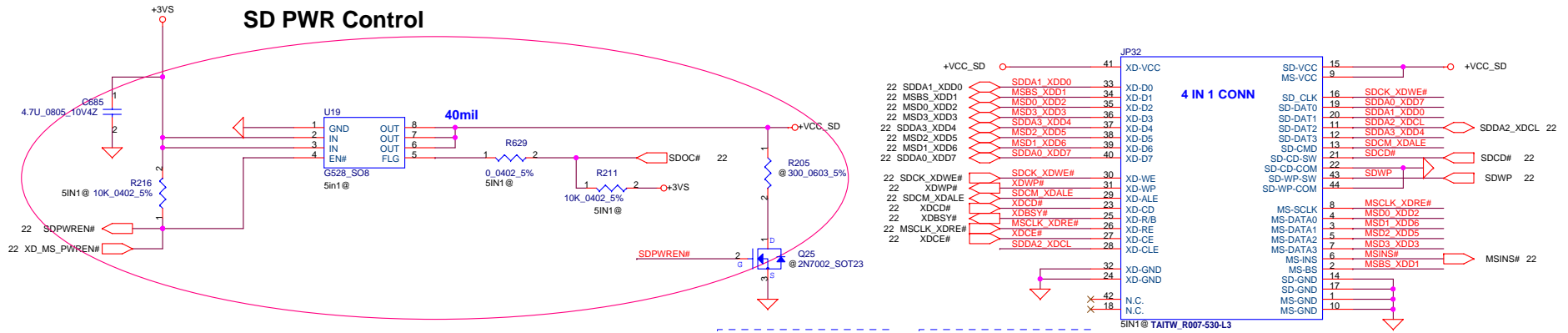


PCMCIA Conn.

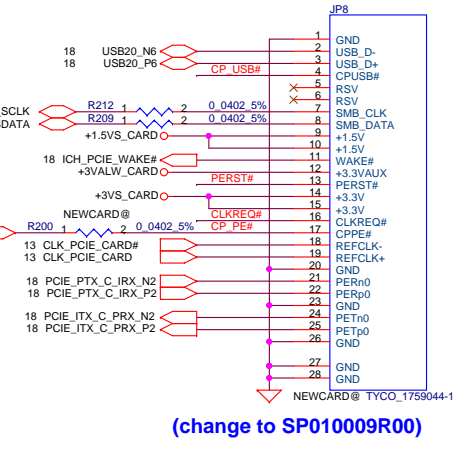
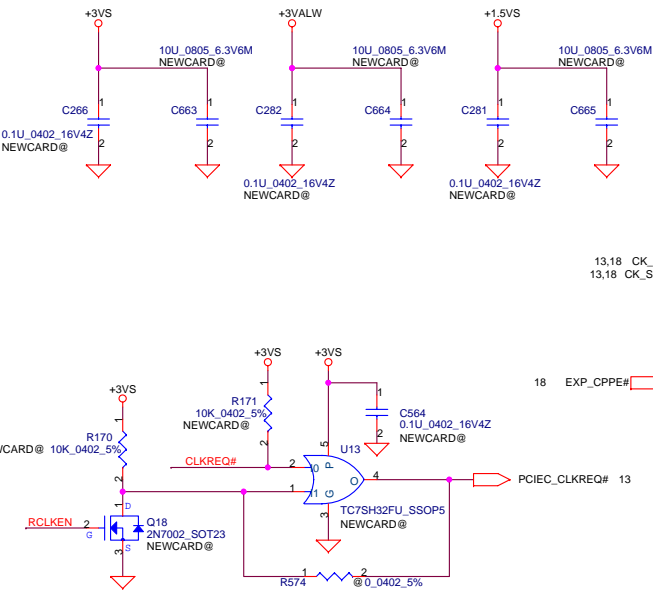
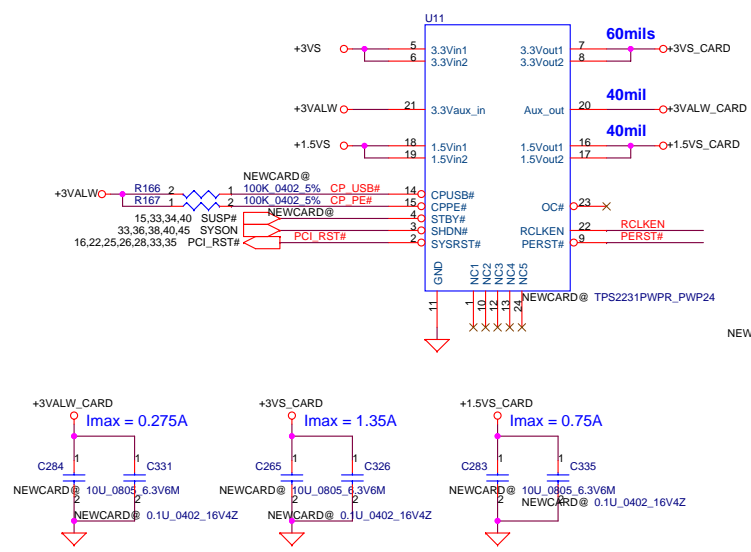
(change to SP010009Q00)

Security Classification		Compal Secret Data		Title	
Issued Date	2005/03/25	Deciphered Date	2006/03/25	Compal Electronics, Inc.	
THIS SHEET OF ENGINEERING DRAWING IS THE PROPRIETARY PROPERTY OF COMPAL ELECTRONICS, INC. AND CONTAINS CONFIDENTIAL AND TRADE SECRET INFORMATION. THIS SHEET MAY NOT BE TRANSFERRED FROM THE CUSTODY OF THE COMPETENT DIVISION OF R&D DEPARTMENT EXCEPT AS AUTHORIZED BY COMPAL ELECTRONICS, INC. NEITHER THIS SHEET NOR THE INFORMATION IT CONTAINS MAY BE USED BY OR DISCLOSED TO ANY THIRD PARTY WITHOUT PRIOR WRITTEN CONSENT OF COMPAL ELECTRONICS, INC.				Document Number	Rev 1.0
				EBQ10 LA-2741	
				Date: 星期三, 四月 20, 2005	Sheet 23 of 49

# SD PWR Control

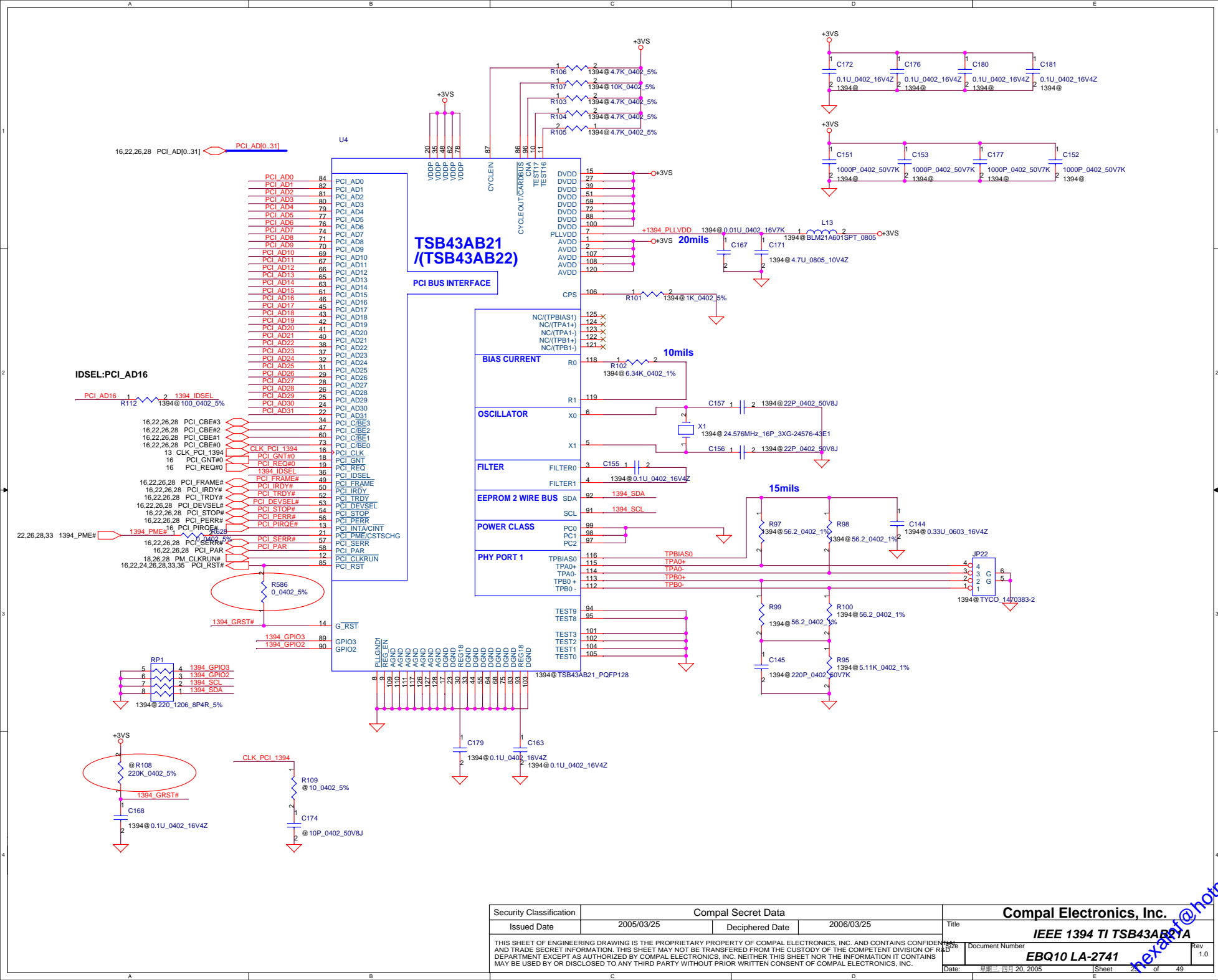


# New Card Power Switch



(change to SP010009R00)

Security Classification		Compal Secret Data		Title	
Issued Date	2005/03/25	Deciphered Date	2006/03/25	SIN1 & NEW Card Socket	
THIS SHEET OF ENGINEERING DRAWING IS THE PROPRIETARY PROPERTY OF COMPAL ELECTRONICS, INC. AND CONTAINS CONFIDENTIAL AND TRADE SECRET INFORMATION. THIS SHEET MAY NOT BE TRANSFERRED FROM THE CUSTODY OF THE COMPETENT DIVISION OF R&D DEPARTMENT EXCEPT AS AUTHORIZED BY COMPAL ELECTRONICS, INC. NEITHER THIS SHEET NOR THE INFORMATION IT CONTAINS MAY BE USED BY OR DISCLOSED TO ANY THIRD PARTY WITHOUT PRIOR WRITTEN CONSENT OF COMPAL ELECTRONICS, INC.				Document Number	Rev
				EBQ10 LA-2741	1.0
				Date	Rev
				日期: 2005.04.20	Rev: 24 of 49



Security Classification	Compal Secret Data		
Issued Date	2005/03/25	Deciphered Date	2006/03/25
THIS SHEET OF ENGINEERING DRAWING IS THE PROPRIETARY PROPERTY OF COMPAL ELECTRONICS, INC. AND CONTAINS CONFIDENTIAL AND TRADE SECRET INFORMATION. THIS SHEET MAY NOT BE TRANSFERRED FROM THE CUSTODY OF THE COMPETENT DIVISION OF R&D DEPARTMENT EXCEPT AS AUTHORIZED BY COMPAL ELECTRONICS, INC. NEITHER THIS SHEET NOR THE INFORMATION IT CONTAINS MAY BE USED BY OR DISCLOSED TO ANY THIRD PARTY WITHOUT PRIOR WRITTEN CONSENT OF COMPAL ELECTRONICS, INC.			

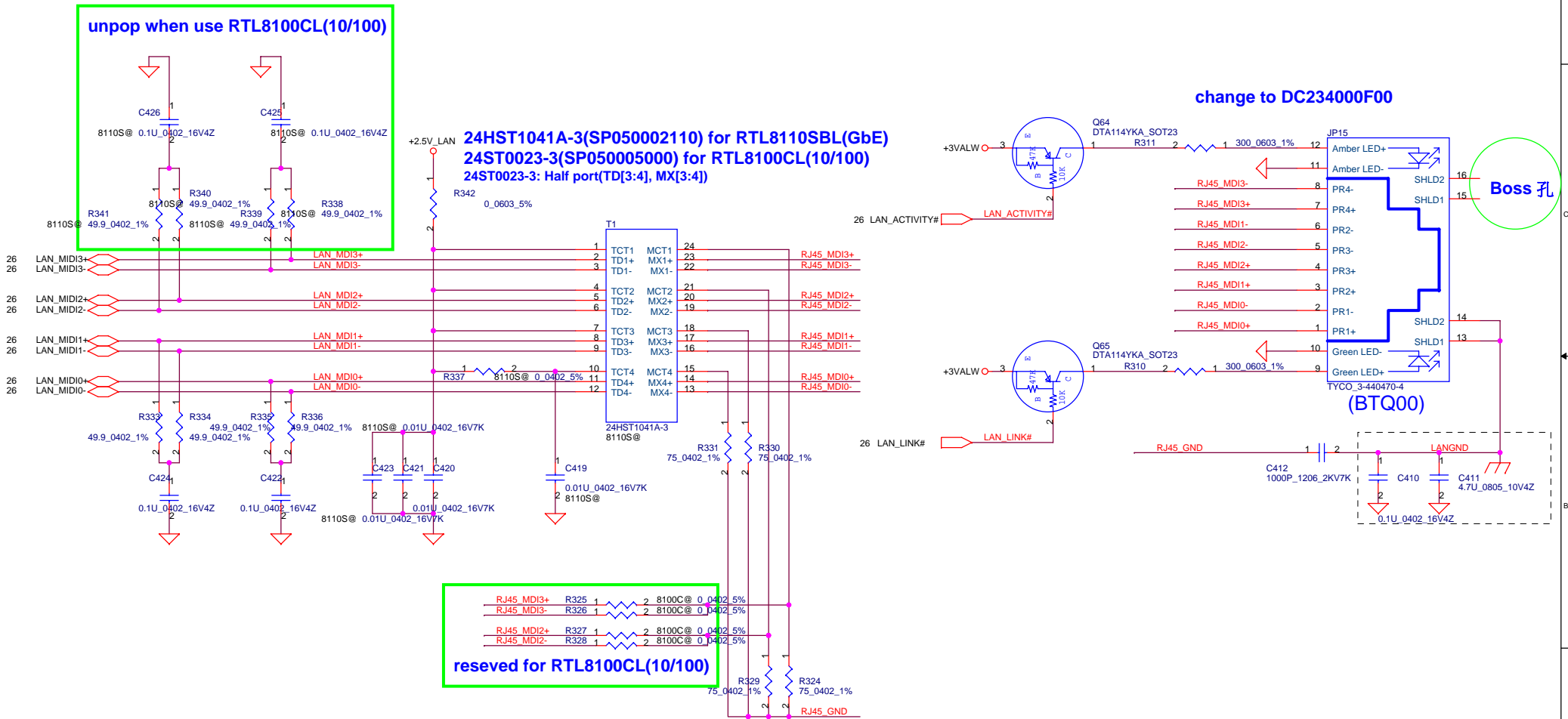
Compal Electronics, Inc.		
Title <b>IEEE 1394 TI TSB43AB21A</b>		
Document Number <b>EBQ10 LA-2741</b>	Rev 1.0	
Date 星期二, 四月 20, 2005	Sheet 23	of 49

hexart@hotmail.com

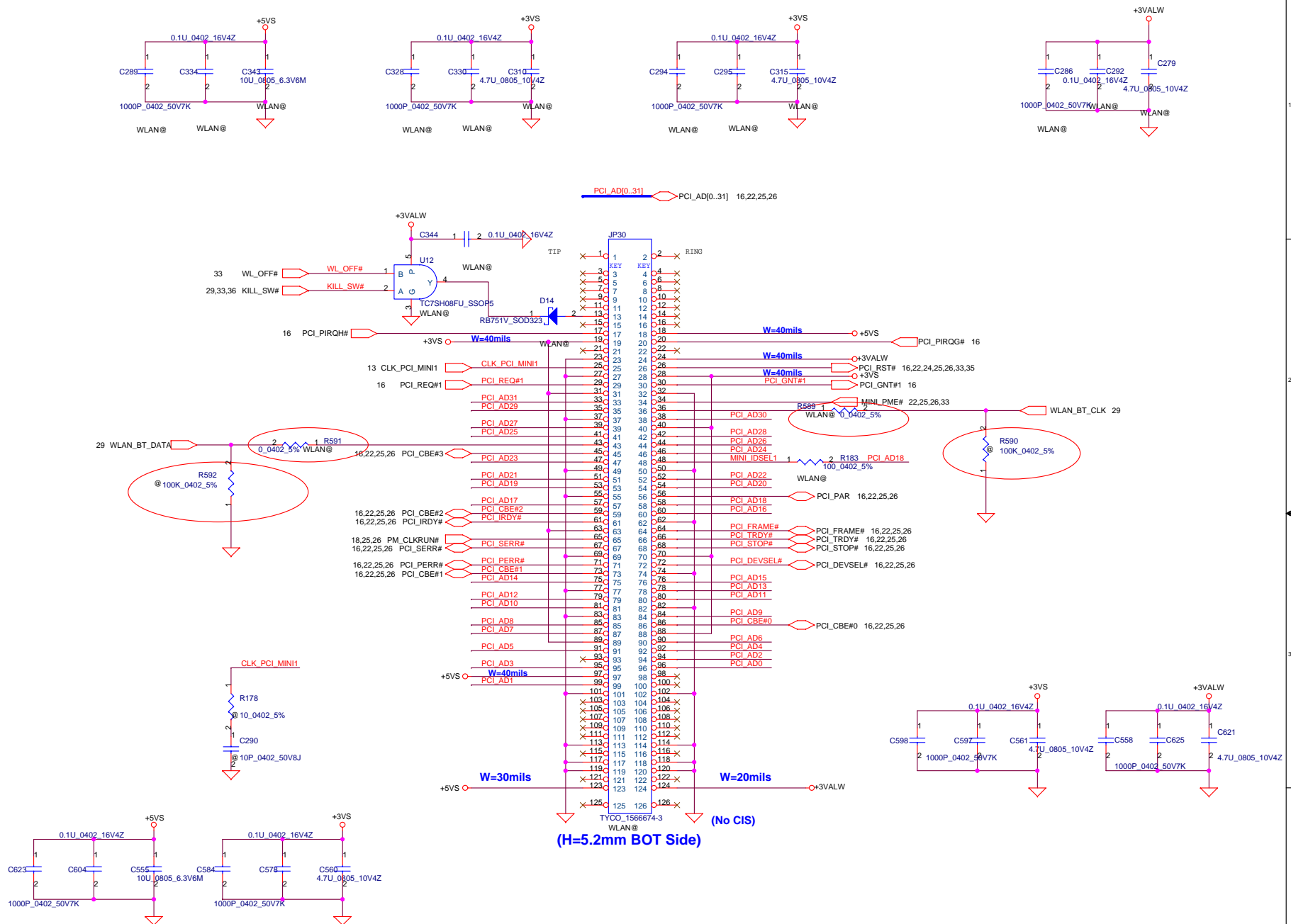




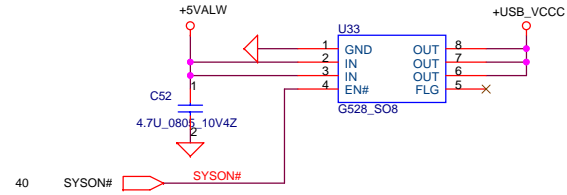
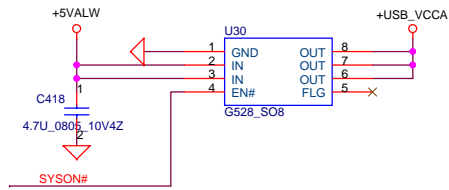
# LAN RTL8110SBL/RTL8100CL



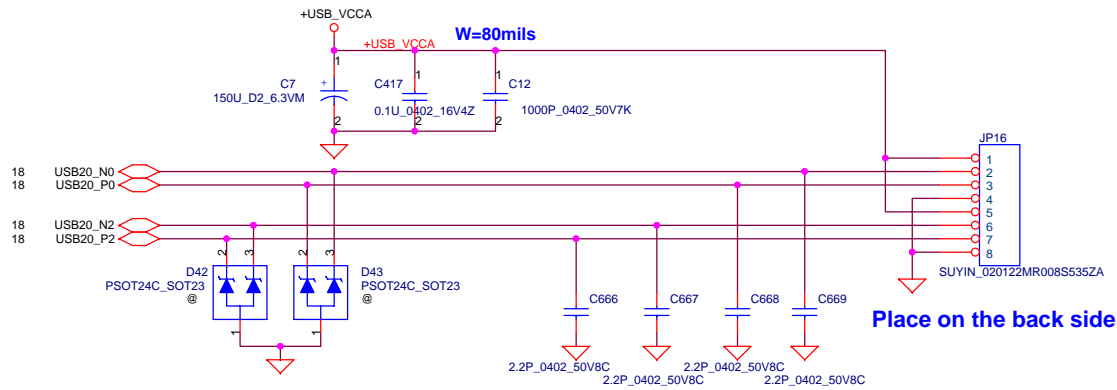
Security Classification	Compal Secret Data		Compal Electronics, Inc.	
Issued Date	2005/03/25	Deciphered Date	2006/03/25	Title
THIS SHEET OF ENGINEERING DRAWING IS THE PROPRIETARY PROPERTY OF COMPAL ELECTRONICS, INC. AND CONTAINS CONFIDENTIAL AND TRADE SECRET INFORMATION. THIS SHEET MAY NOT BE TRANSFERRED FROM THE CUSTODY OF THE COMPETENT DIVISION OF R&D DEPARTMENT EXCEPT AS AUTHORIZED BY COMPAL ELECTRONICS, INC. NEITHER THIS SHEET NOR THE INFORMATION IT CONTAINS MAY BE USED BY OR DISCLOSED TO ANY THIRD PARTY WITHOUT PRIOR WRITTEN CONSENT OF COMPAL ELECTRONICS, INC.				Document Number
				<b>EBQ10 LAN-2741</b>
Date:	星期三, 四月 20, 2005	Sheet	27	of 49
				Rev 1.0



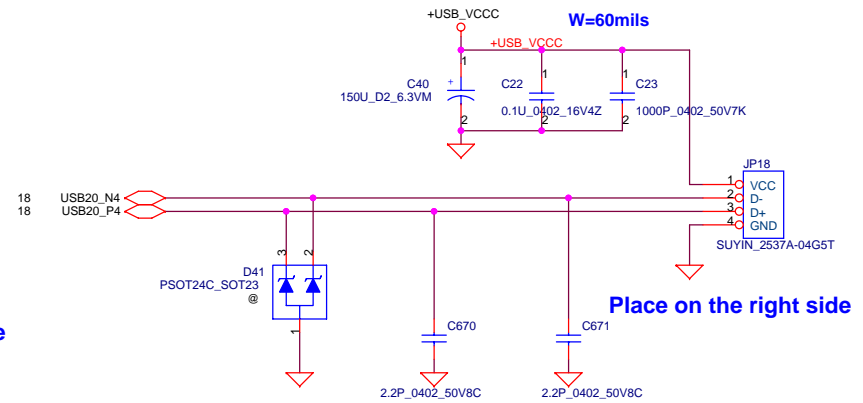
Security Classification	Compal Secret Data			Compal Electronics, Inc.	
Issued Date	2005/03/25	Deciphered Date	2006/03/25	Title	
THIS SHEET OF ENGINEERING DRAWING IS THE PROPRIETARY PROPERTY OF COMPAL ELECTRONICS, INC. AND CONTAINS CONFIDENTIAL AND TRADE SECRET INFORMATION. THIS SHEET MAY NOT BE TRANSFERRED FROM THE CUSTODY OF THE COMPETENT DIVISION OF R&D DEPARTMENT EXCEPT AS AUTHORIZED BY COMPAL ELECTRONICS, INC. NEITHER THIS SHEET NOR THE INFORMATION IT CONTAINS MAY BE USED BY OR DISCLOSED TO ANY THIRD PARTY WITHOUT PRIOR WRITTEN CONSENT OF COMPAL ELECTRONICS, INC.				Document Number	Rev
				EBQ10 LA-2741	
				Date	Rev
				星期二, 四月 20, 2005	28 of 49



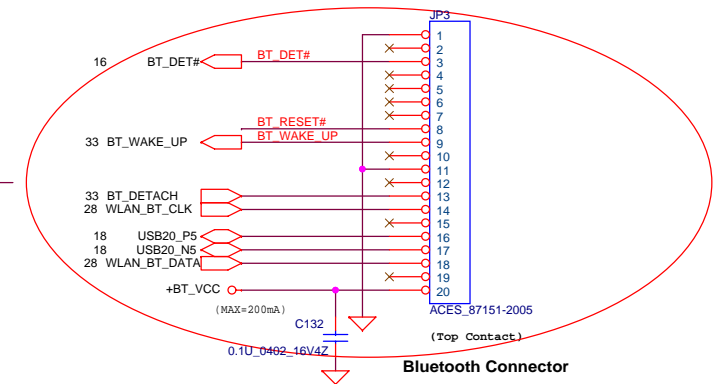
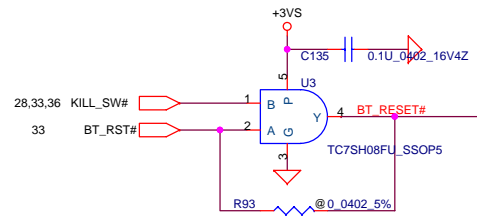
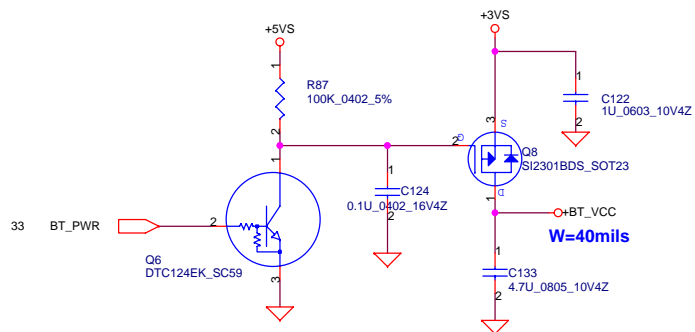
### USB CONN. 1 & 2



### USB CONN. 3

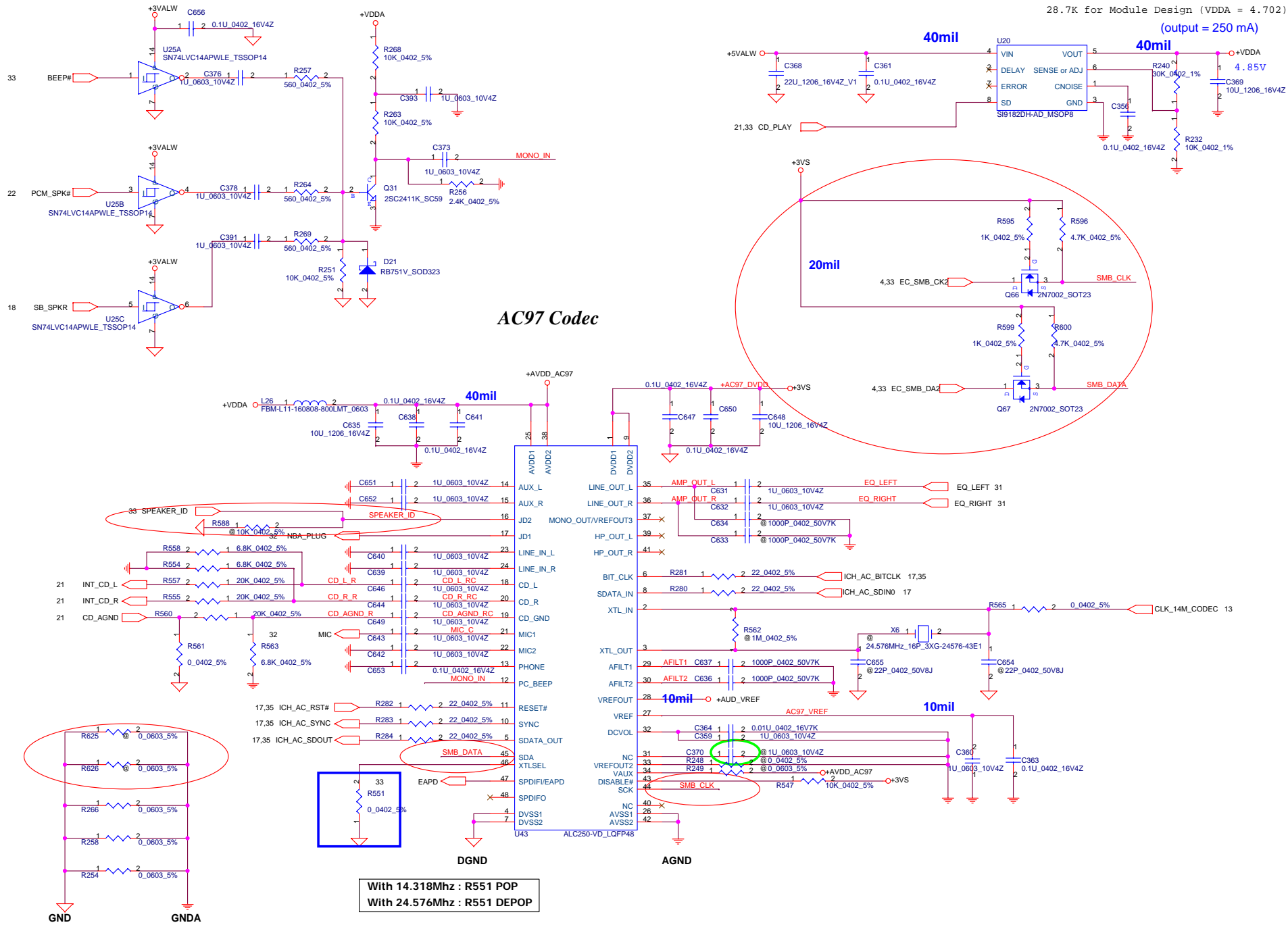


### Bluetooth Conn.



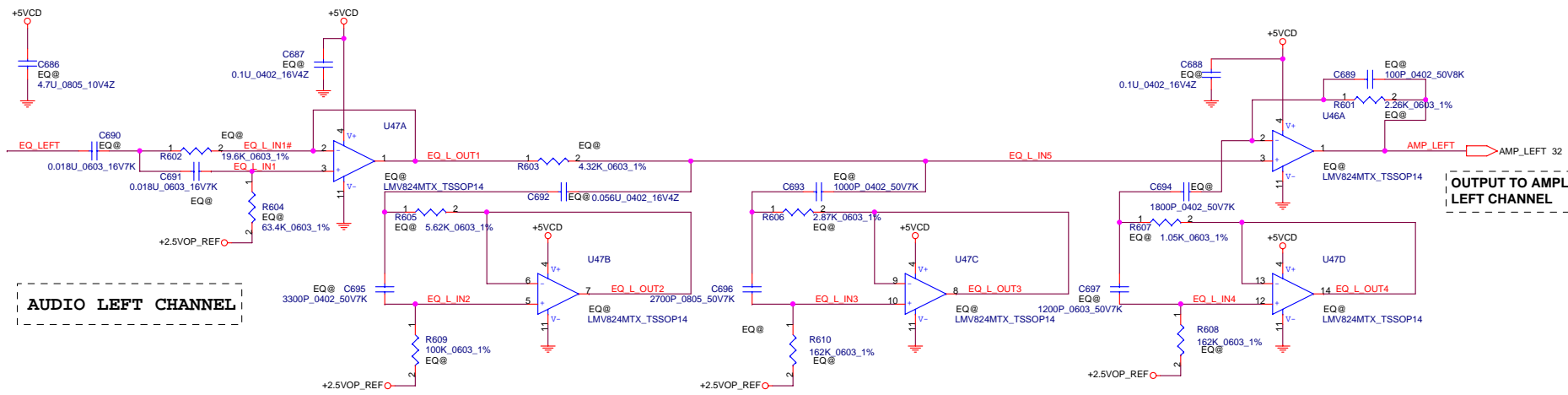
Security Classification	Compal Secret Data		Title	
Issued Date	2005/03/25	Deciphered Date	2006/03/25	Compal Electronics, Inc.
THIS SHEET OF ENGINEERING DRAWING IS THE PROPRIETARY PROPERTY OF COMPAL ELECTRONICS, INC. AND CONTAINS CONFIDENTIAL AND TRADE SECRET INFORMATION. THIS SHEET MAY NOT BE TRANSFERRED FROM THE CUSTODY OF THE COMPETENT DIVISION OF R&D DEPARTMENT EXCEPT AS AUTHORIZED BY COMPAL ELECTRONICS, INC. NEITHER THIS SHEET NOR THE INFORMATION IT CONTAINS MAY BE USED BY OR DISCLOSED TO ANY THIRD PARTY WITHOUT PRIOR WRITTEN CONSENT OF COMPAL ELECTRONICS, INC.				Document Number
				Rev 1.0
Date: 星期三, 四月 20, 2005				Sheet 29 of 49

http://www.compalmail.com



Security Classification	Compal Secret Data		
Issued Date	2005/03/25	Deciphered Date	2006/03/25
THIS SHEET OF ENGINEERING DRAWING IS THE PROPRIETARY PROPERTY OF COMPAL ELECTRONICS, INC. AND CONTAINS CONFIDENTIAL AND TRADE SECRET INFORMATION. THIS SHEET MAY NOT BE TRANSFERRED FROM THE CUSTODY OF THE COMPETENT DIVISION OF R&D DEPARTMENT EXCEPT AS AUTHORIZED BY COMPAL ELECTRONICS, INC. NEITHER THIS SHEET NOR THE INFORMATION IT CONTAINS MAY BE USED BY OR DISCLOSED TO ANY THIRD PARTY WITHOUT PRIOR WRITTEN CONSENT OF COMPAL ELECTRONICS, INC.			

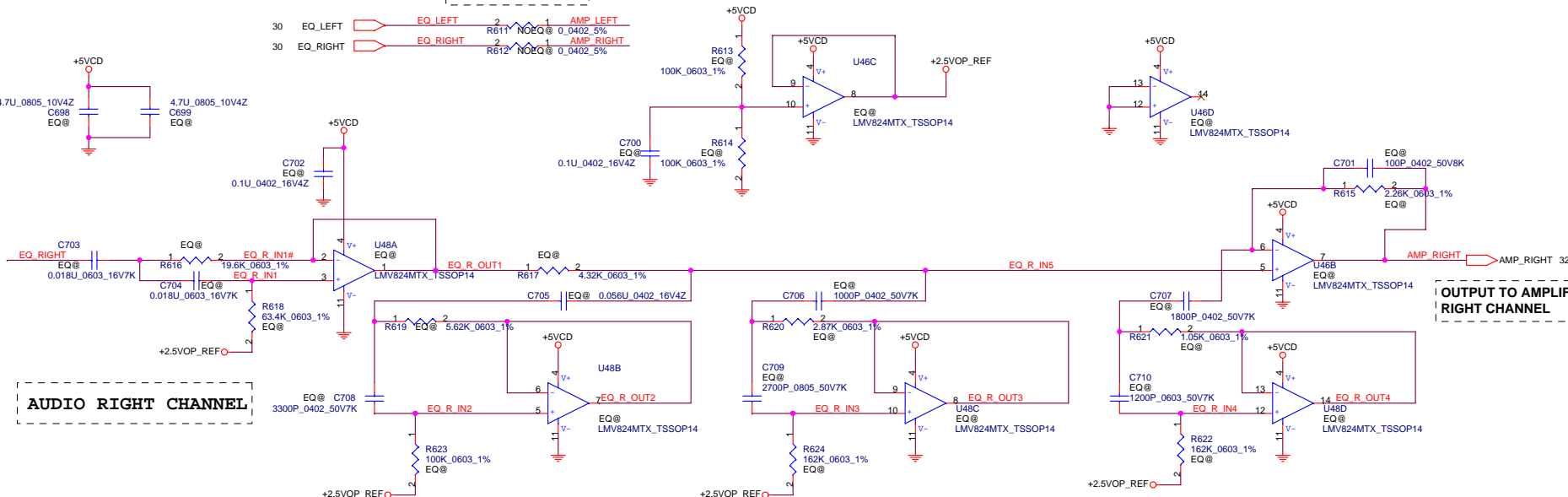
Compal Electronics, Inc.			
Title <b>AC97 Codec ALC250D</b>			
Document Number	Date		Rev
<b>EBQ10 LA-2741</b>	Rev 30	Rev 30	1.0



AUDIO LEFT CHANNEL

OUTPUT TO AMPLIFIER LEFT CHANNEL

BY-PASS EQ CIRCUIT

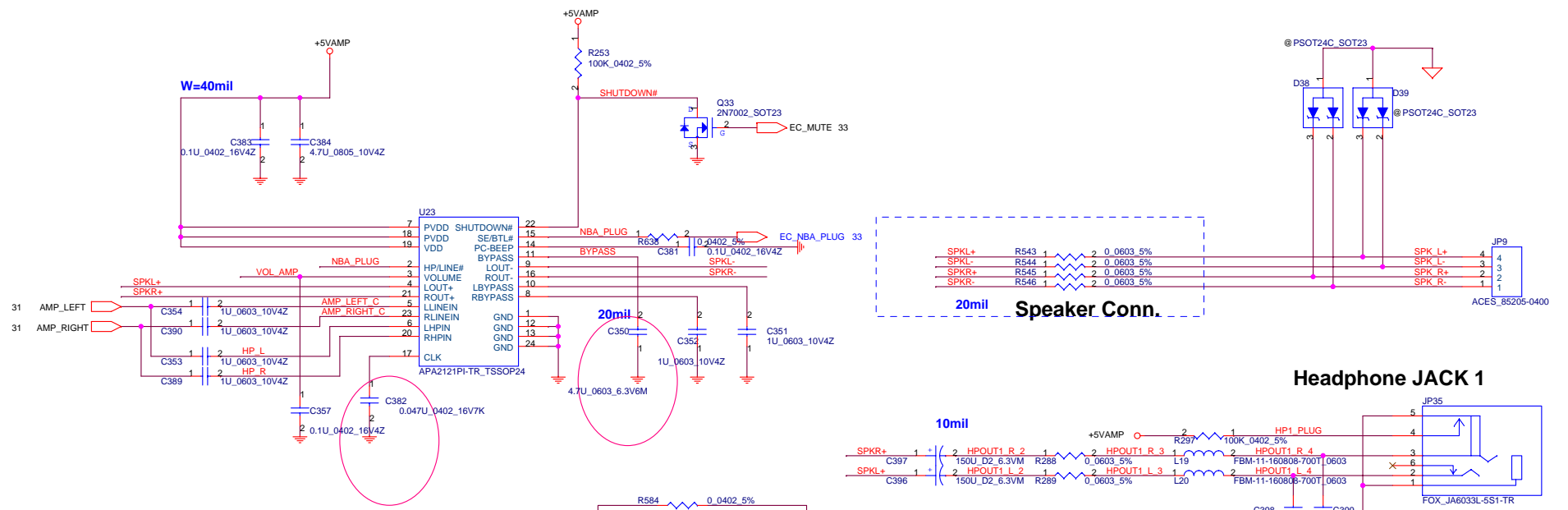


AUDIO RIGHT CHANNEL

OUTPUT TO AMPLIFIER RIGHT CHANNEL

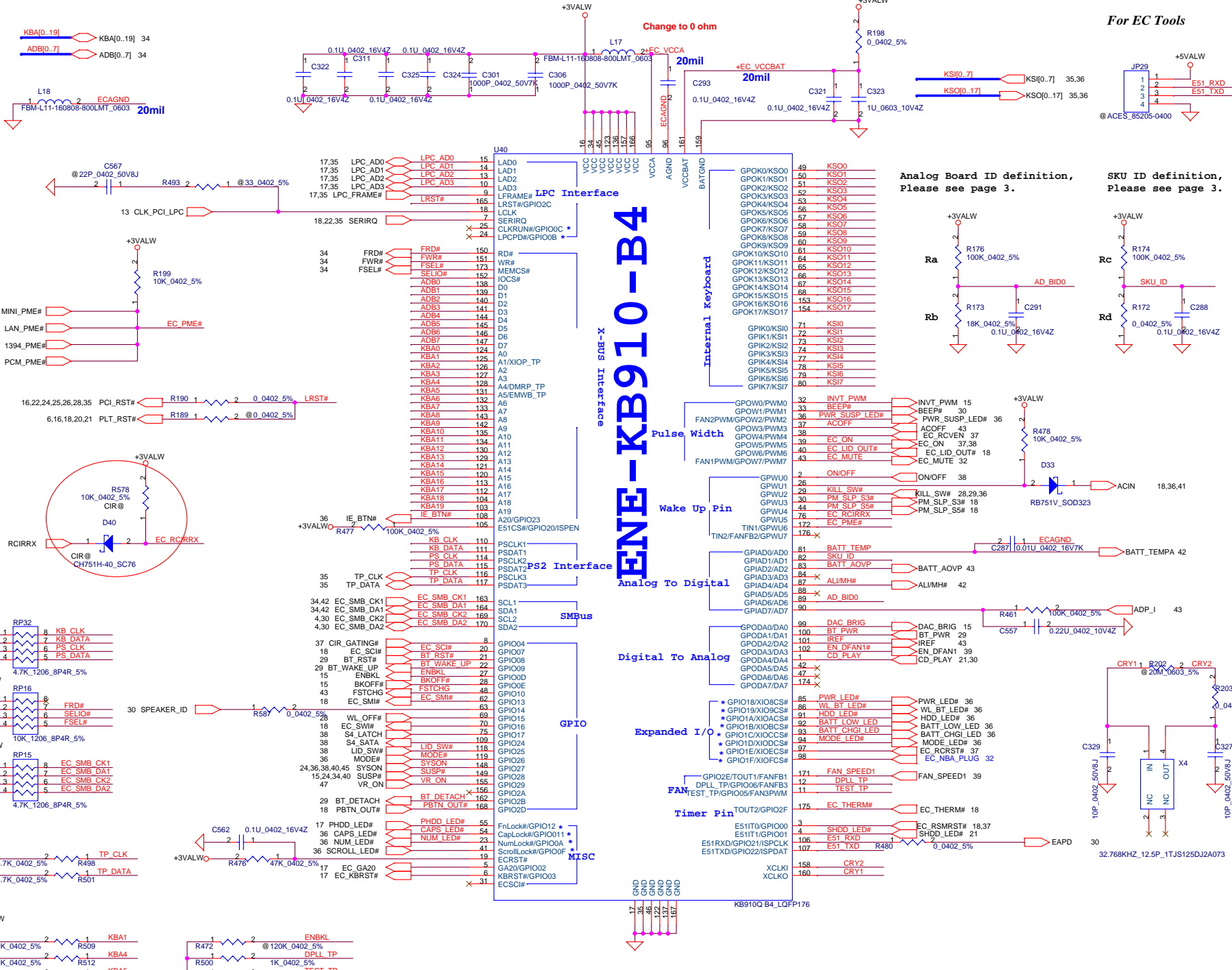
Security Classification	Compal Secret Data		Compal Electronics Inc.	
Issued Date	2005/03/25	Deciphered Date	2006/03/25	Title
				H/W EQ
THIS SHEET OF ENGINEERING DRAWING IS THE PROPRIETARY PROPERTY OF COMPAL ELECTRONICS, INC. AND CONTAINS CONFIDENTIAL AND TRADE SECRET INFORMATION. THIS SHEET MAY NOT BE TRANSFERRED FROM THE CUSTODY OF THE COMPETENT DIVISION OF R&D DEPARTMENT EXCEPT AS AUTHORIZED BY COMPAL ELECTRONICS, INC. NEITHER THIS SHEET NOR THE INFORMATION IT CONTAINS MAY BE USED BY OR DISCLOSED TO ANY THIRD PARTY WITHOUT PRIOR WRITTEN CONSENT OF COMPAL ELECTRONICS, INC.				Document Number
				EBQ10 LA-2741
				Rev 1.0
Date:	星期二, 四月 20, 2005	Sheet	31	of 49

Hotmail.com



Security Classification	Compal Secret Data			Compal Electronics, Inc.		
Issued Date	2005/03/25	Deciphered Date	2006/03/25	Title	<b>AMP &amp; Audio Jack</b>	
THIS SHEET OF ENGINEERING DRAWING IS THE PROPRIETARY PROPERTY OF COMPAL ELECTRONICS, INC. AND CONTAINS CONFIDENTIAL AND TRADE SECRET INFORMATION. THIS SHEET MAY NOT BE TRANSFERRED FROM THE CUSTODY OF THE COMPETENT DIVISION OF R&D DEPARTMENT EXCEPT AS AUTHORIZED BY COMPAL ELECTRONICS, INC. NEITHER THIS SHEET NOR THE INFORMATION IT CONTAINS MAY BE USED BY OR DISCLOSED TO ANY THIRD PARTY WITHOUT PRIOR WRITTEN CONSENT OF COMPAL ELECTRONICS, INC.				Document Number	<b>EBQ10 LA-2741</b>	
Date	星期二, 四月 20, 2005	Sheet	32	of	49	





# ENE-KB910-B4

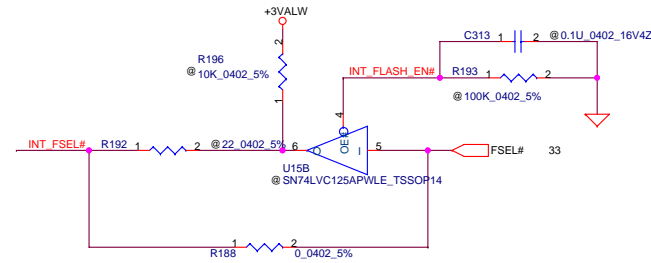
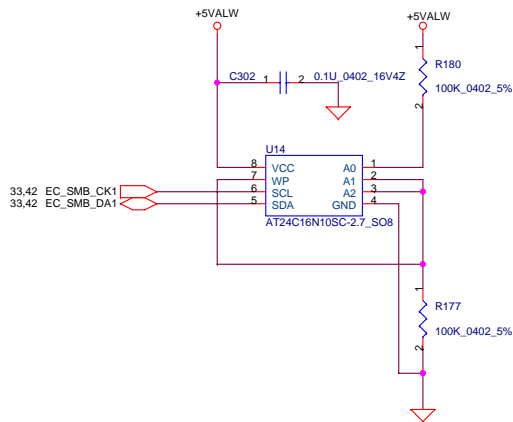
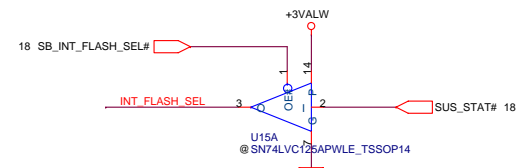
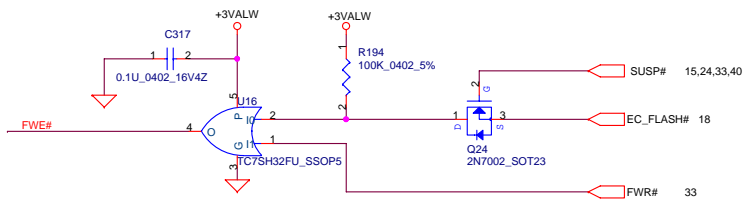
For EC Tools

Analog Board ID definition, Please see page 3.

SKU ID definition, Please see page 3.

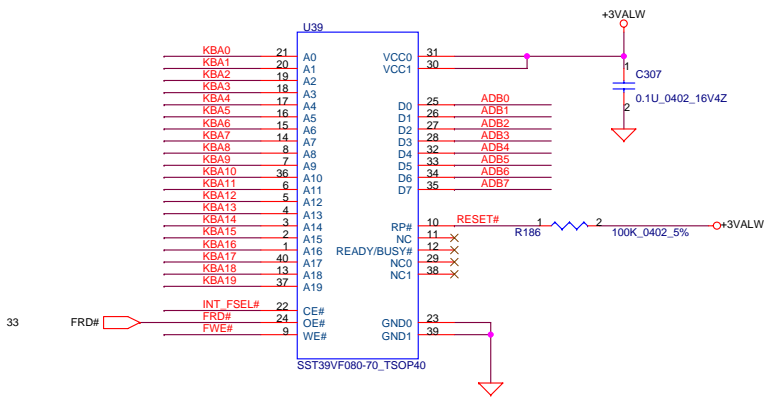
Security Classification		Compal Secret Data		Title	
Issued Date	2005/03/25	Deciphered Date	2006/03/25	Compal Electronics, Inc.	
THIS SHEET OF ENGINEERING DRAWING IS THE PROPRIETARY PROPERTY OF COMPAL ELECTRONICS, INC. AND CONTAINS CONFIDENTIAL AND TRADE SECRET INFORMATION. THIS SHEET MAY NOT BE TRANSFERRED FROM THE CUSTODY OF THE COMPETENT DIVISION OF R&D DEPARTMENT EXCEPT AS AUTHORIZED BY COMPAL ELECTRONICS, INC. NEITHER THIS SHEET NOR THE INFORMATION IT CONTAINS MAY BE USED BY OR DISCLOSED TO ANY THIRD PARTY WITHOUT PRIOR WRITTEN CONSENT OF COMPAL ELECTRONICS, INC.				EC ENE KB910	
				EBQ10 LA-2741	
Date	2005年04月20日	Sheet	35	Rev 1.0	

hexair@hotmail.com

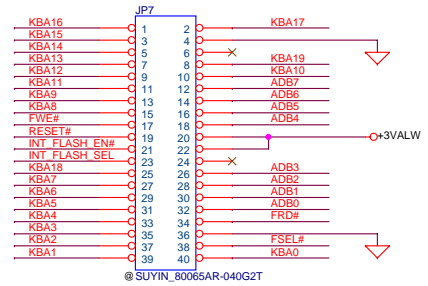


- 33 KBA[0..19] KBA[0..19]
- 33 ADB[0..7] ADB[0..7]

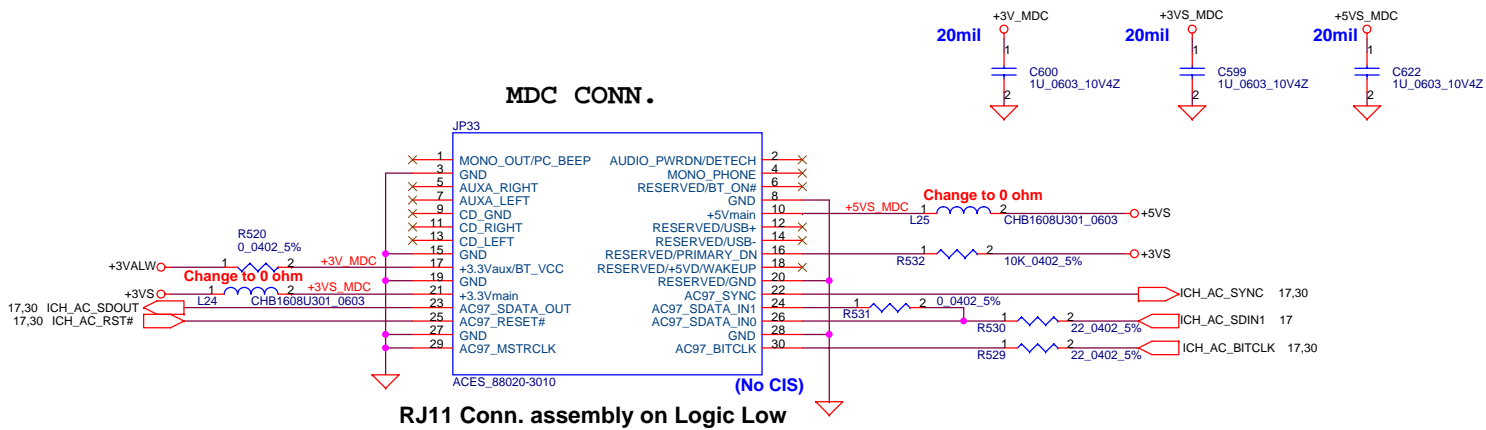
### 1MB Flash ROM



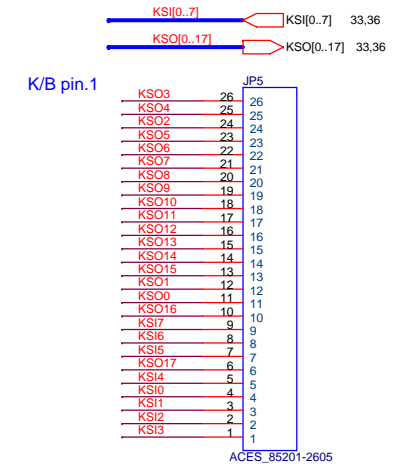
### 1MB ROM Socket



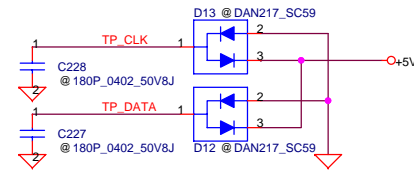
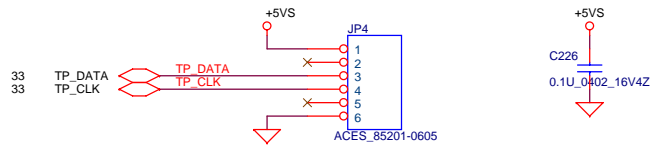
Security Classification	Compal Secret Data		Compal Electronics, Inc.	
Issued Date	2005/03/25	Deciphered Date	2006/03/25	Title
THIS SHEET OF ENGINEERING DRAWING IS THE PROPRIETARY PROPERTY OF COMPAL ELECTRONICS, INC. AND CONTAINS CONFIDENTIAL AND TRADE SECRET INFORMATION. THIS SHEET MAY NOT BE TRANSFERRED FROM THE CUSTODY OF THE COMPETENT DIVISION OF R&D DEPARTMENT EXCEPT AS AUTHORIZED BY COMPAL ELECTRONICS, INC. NEITHER THIS SHEET NOR THE INFORMATION IT CONTAINS MAY BE USED BY OR DISCLOSED TO ANY THIRD PARTY WITHOUT PRIOR WRITTEN CONSENT OF COMPAL ELECTRONICS, INC.				Document Number
				EBQ10 LA-2741
				Rev 1.0
Date: 星期二, 四月 20, 2005		Sheet 34 of 49		



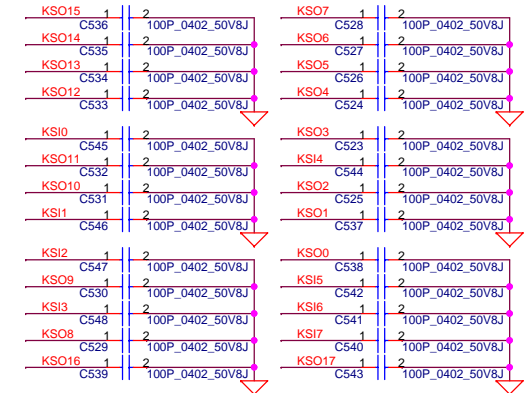
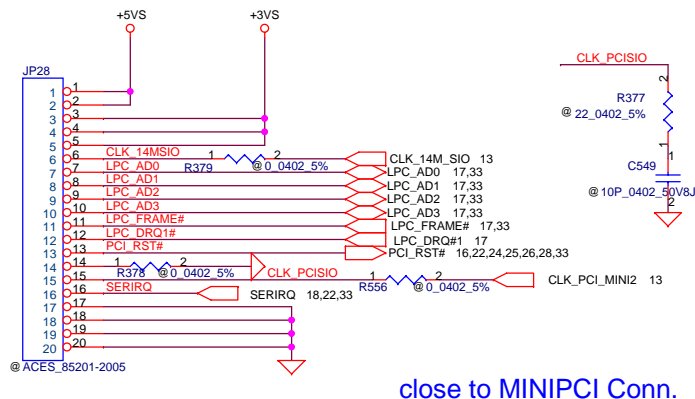
### INT\_KBD CONN.



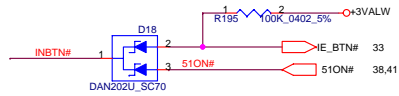
### To TP/B Conn.



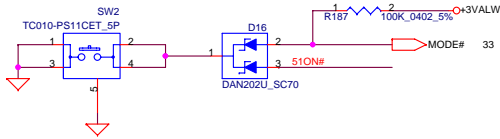
### LPC Debug Port



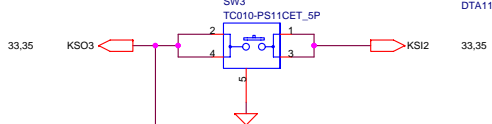
Security Classification	Compal Secret Data		Title	
Issued Date	2005/03/25	Deciphered Date	2006/03/25	Compal Electronics, Inc.
THIS SHEET OF ENGINEERING DRAWING IS THE PROPRIETARY PROPERTY OF COMPAL ELECTRONICS, INC. AND CONTAINS CONFIDENTIAL AND TRADE SECRET INFORMATION. THIS SHEET MAY NOT BE TRANSFERRED FROM THE CUSTODY OF THE COMPETENT DIVISION OF R&D DEPARTMENT EXCEPT AS AUTHORIZED BY COMPAL ELECTRONICS, INC. NEITHER THIS SHEET NOR THE INFORMATION IT CONTAINS MAY BE USED BY OR DISCLOSED TO ANY THIRD PARTY WITHOUT PRIOR WRITTEN CONSENT OF COMPAL ELECTRONICS, INC.				KBD/TP/MDC & RJ11 <b>EBQ10 LA-2701</b> Rev 1.0
Date:	星期三, 四月 20, 2005	Sheet	35	of 49



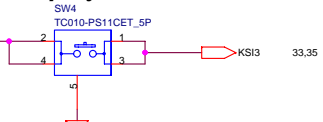
**Vivace(SW-DJ) Button**



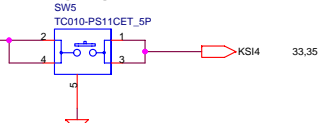
**Play/Pause Button**



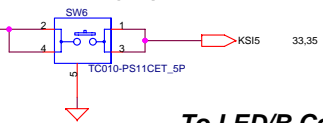
**Stop/Eject Button**



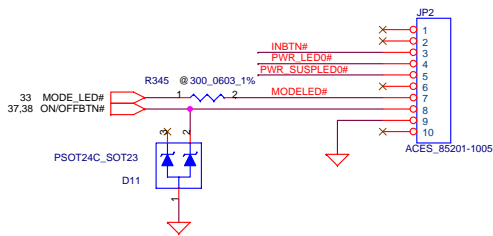
**Next(FR) Button**



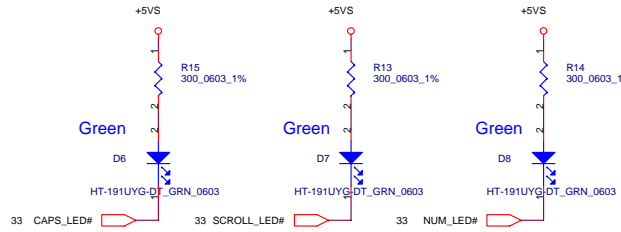
**Previous(FF) Button**



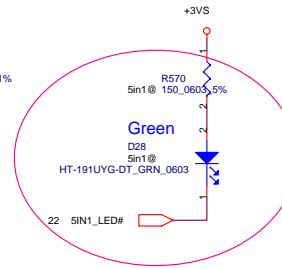
To LED/B Conn.



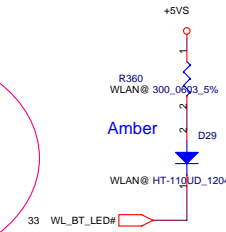
**CAP Lock LED Scroll Lock LED Number Lock LED**



**5 In 1 Card LED (Close to Socket)**

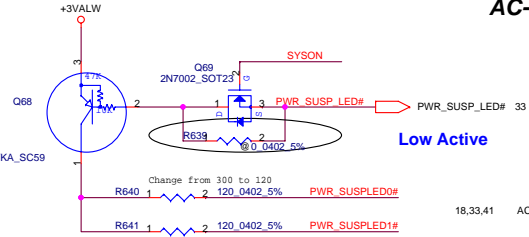
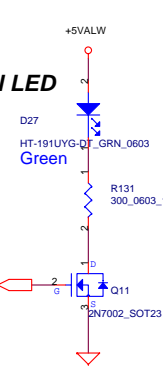


**Wireless/BT LED (Close to Killer SW)**

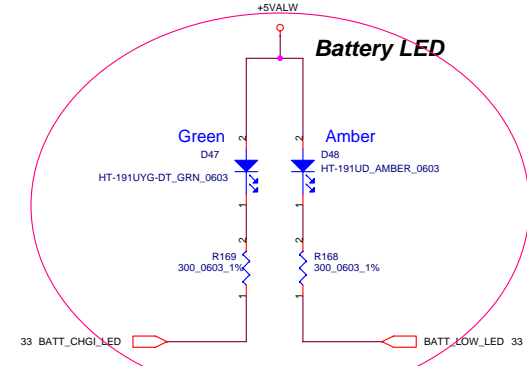


Right Angle (Sakhir)

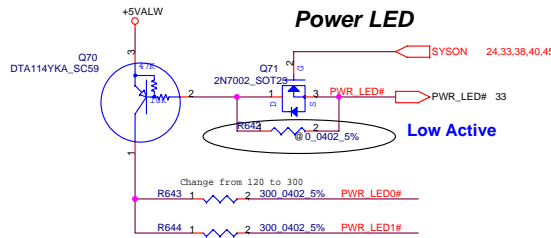
**AC-IN LED**



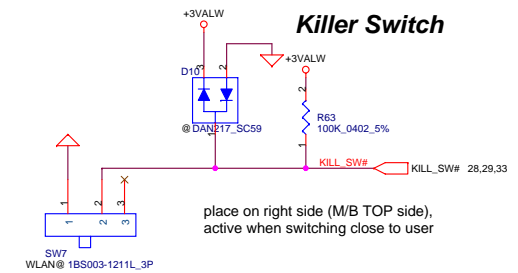
**Battery LED**



**Power LED**

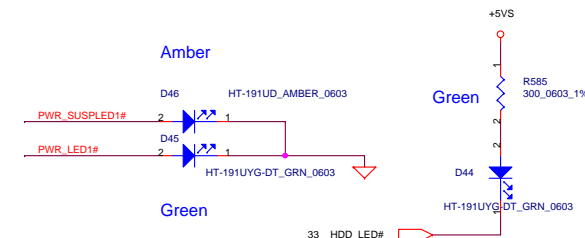


**Killer Switch**

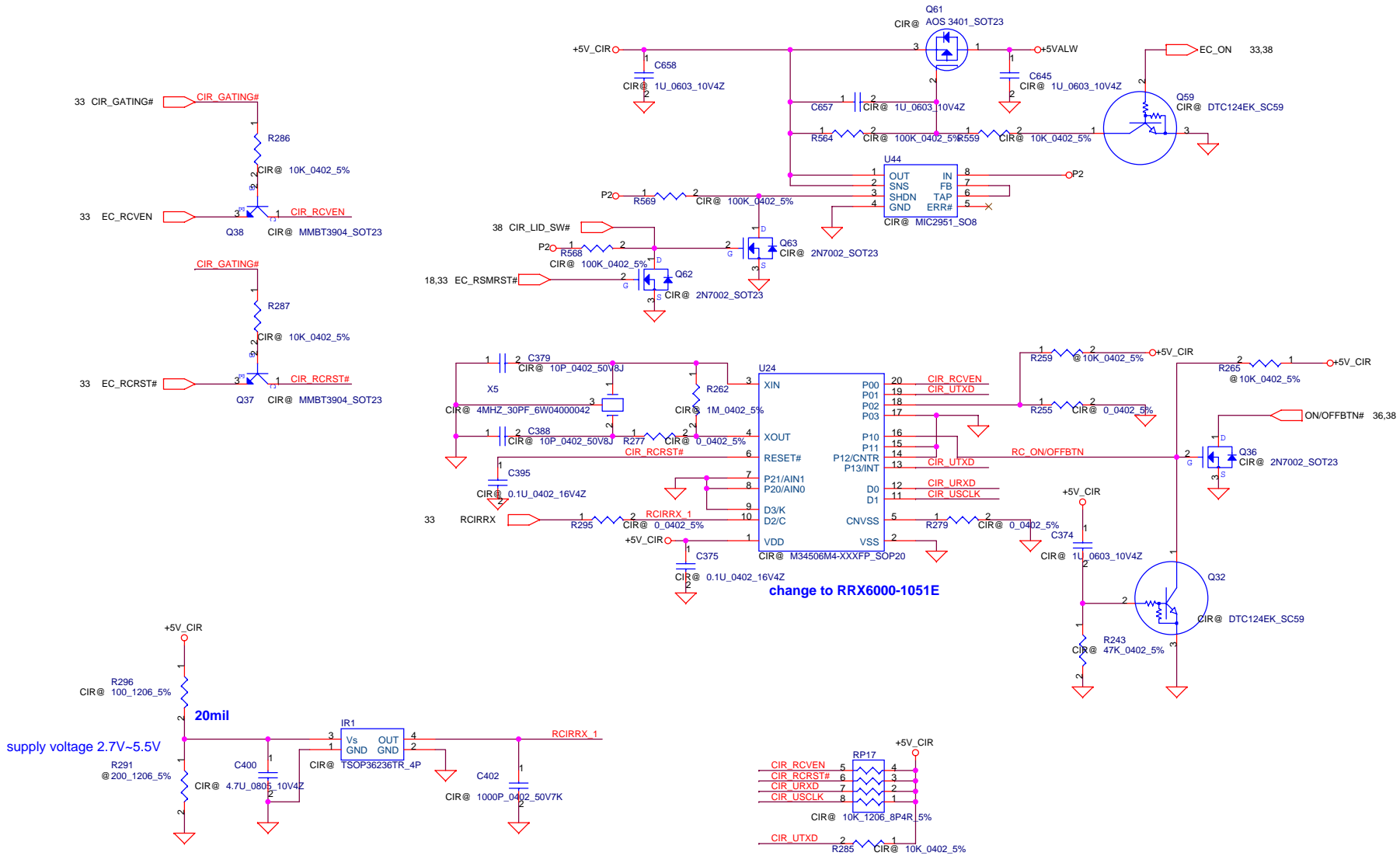


place on right side (M/B TOP side), active when switching close to user

**HDD LED**



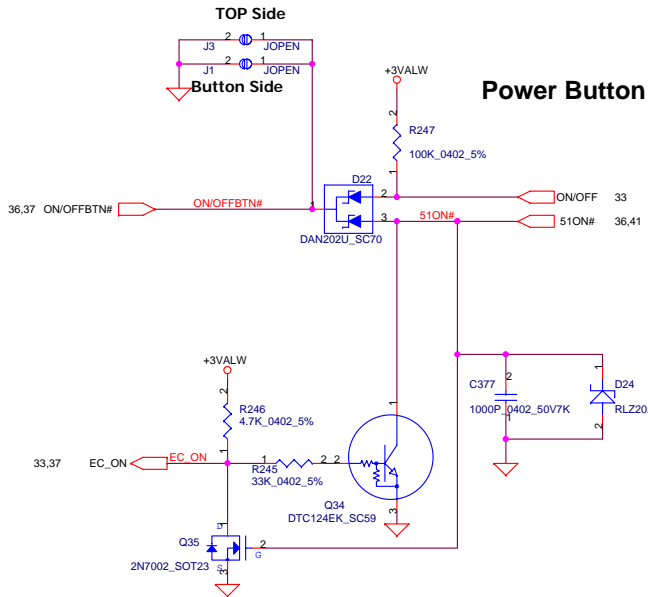
Security Classification	Compal Secret Data		Title	
Issued Date	2005/03/25	Deciphered Date	2006/03/25	
THIS SHEET OF ENGINEERING DRAWING IS THE PROPRIETARY PROPERTY OF COMPAL ELECTRONICS, INC. AND CONTAINS CONFIDENTIAL AND TRADE SECRET INFORMATION. THIS SHEET MAY NOT BE TRANSFERRED FROM THE CUSTODY OF THE COMPETENT DIVISION OF R&D DEPARTMENT EXCEPT AS AUTHORIZED BY COMPAL ELECTRONICS, INC. NEITHER THIS SHEET NOR THE INFORMATION IT CONTAINS MAY BE USED BY OR DISCLOSED TO ANY THIRD PARTY WITHOUT PRIOR WRITTEN CONSENT OF COMPAL ELECTRONICS, INC.				
Compal Electronics, Inc.			MDC/BT/KBD/ON_OFF/LID	
EBQ10 LA-2741			Rev 1.0	
Date: 星期三, 四月 20, 2005			Sheet 36 of 49	



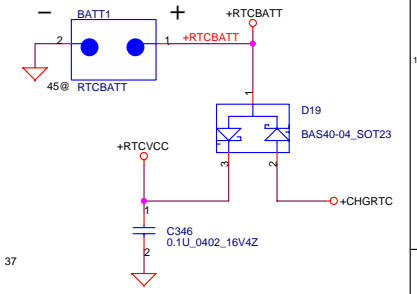
Security Classification	Compal Secret Data		Compal Electronics, Inc.	
Issued Date	2005/03/25	Deciphered Date	2006/03/25	Title
THIS SHEET OF ENGINEERING DRAWING IS THE PROPRIETARY PROPERTY OF COMPAL ELECTRONICS, INC. AND CONTAINS CONFIDENTIAL AND TRADE SECRET INFORMATION. THIS SHEET MAY NOT BE TRANSFERRED FROM THE CUSTODY OF THE COMPETENT DIVISION OF R&D DEPARTMENT EXCEPT AS AUTHORIZED BY COMPAL ELECTRONICS, INC. NEITHER THIS SHEET NOR THE INFORMATION IT CONTAINS MAY BE USED BY OR DISCLOSED TO ANY THIRD PARTY WITHOUT PRIOR WRITTEN CONSENT OF COMPAL ELECTRONICS, INC.				Document Number
				Rev
				1.0
Date: 星期三, 四月 20, 2005				Page: 37 of 49

http://www.compalelectronics.com

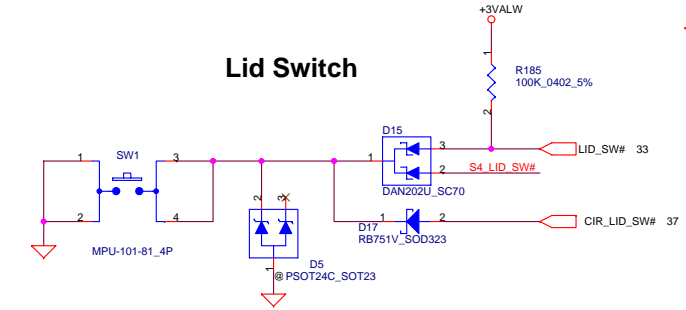
**ON/OFF switch**



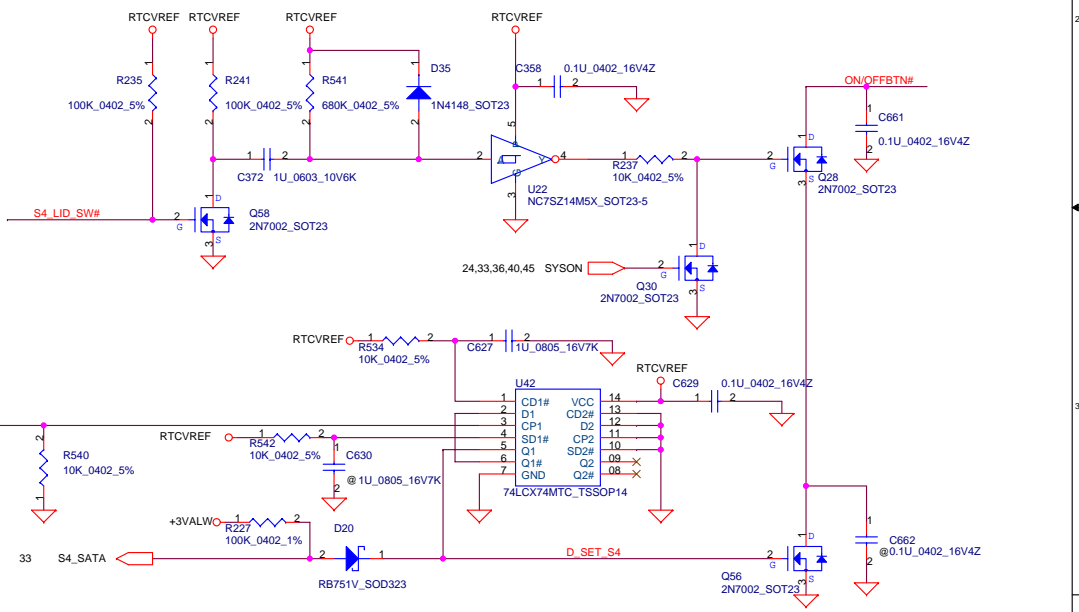
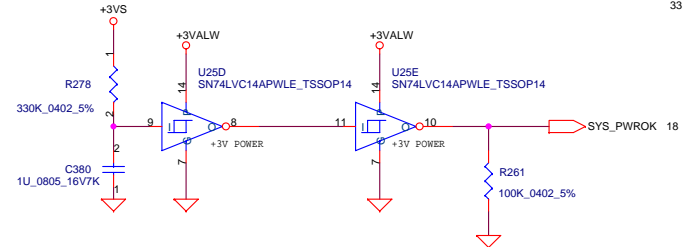
**RTC Battery**



**Lid Switch**



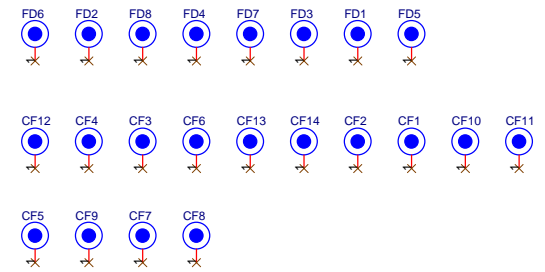
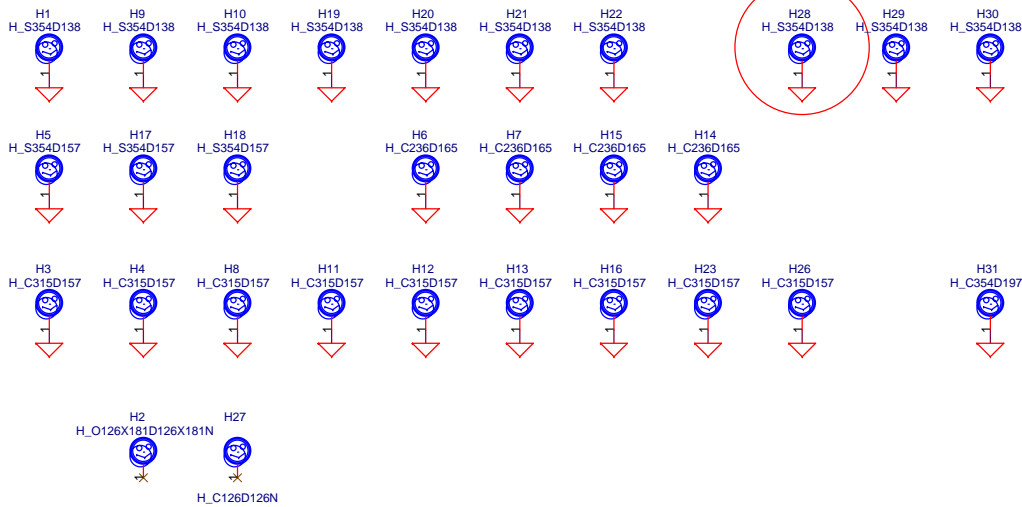
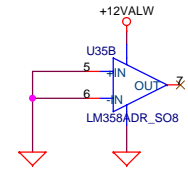
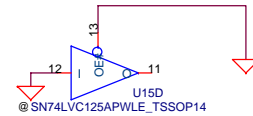
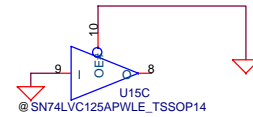
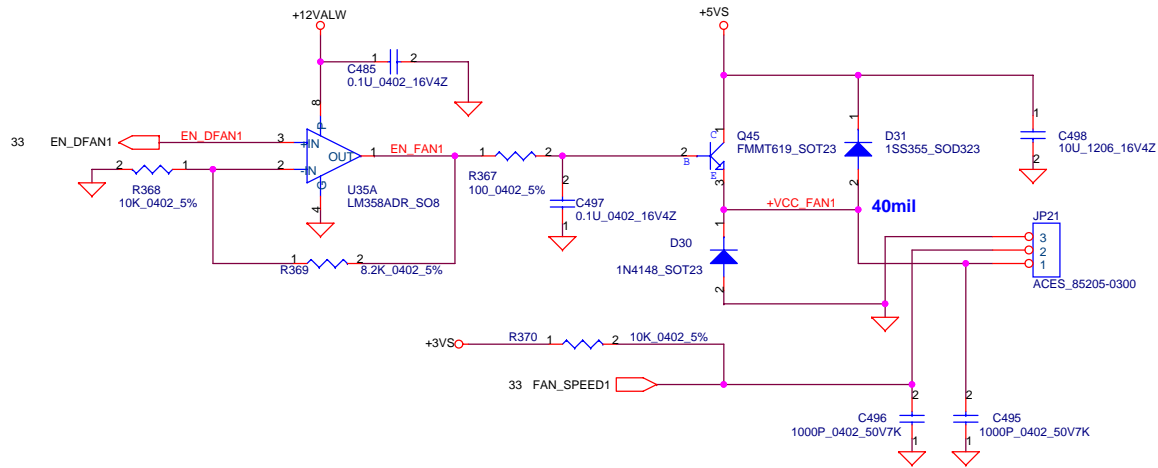
**Power ON Circuit**



Security Classification	Compal Secret Data			Compal Electronics, Inc.		
Issued Date	2005/03/25	Deciphered Date	2006/03/25	Title		
THIS SHEET OF ENGINEERING DRAWING IS THE PROPRIETARY PROPERTY OF COMPAL ELECTRONICS, INC. AND CONTAINS CONFIDENTIAL AND TRADE SECRET INFORMATION. THIS SHEET MAY NOT BE TRANSFERRED FROM THE CUSTODY OF THE COMPETENT DIVISION OF R&D DEPARTMENT EXCEPT AS AUTHORIZED BY COMPAL ELECTRONICS, INC. NEITHER THIS SHEET NOR THE INFORMATION IT CONTAINS MAY BE USED BY OR DISCLOSED TO ANY THIRD PARTY WITHOUT PRIOR WRITTEN CONSENT OF COMPAL ELECTRONICS, INC.				Document Number		
				Rev		
				EBQ10 LA-2741		
				Date	星期二, 四月 20, 2005	Sheet 38 of 49

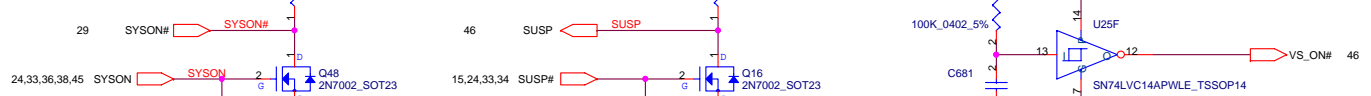
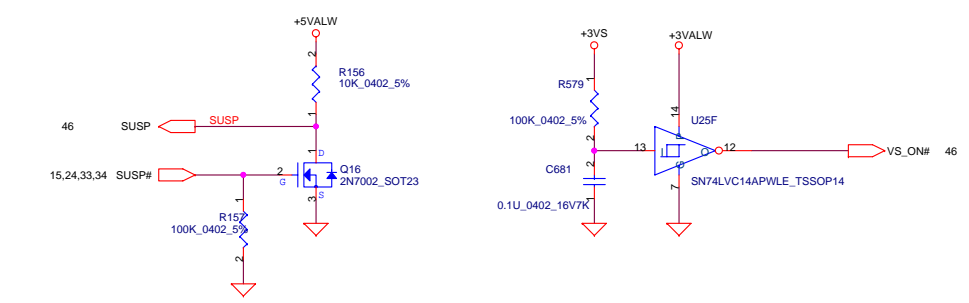
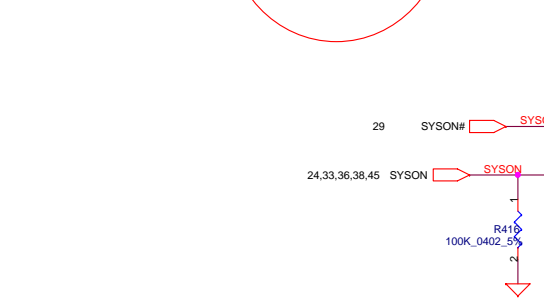
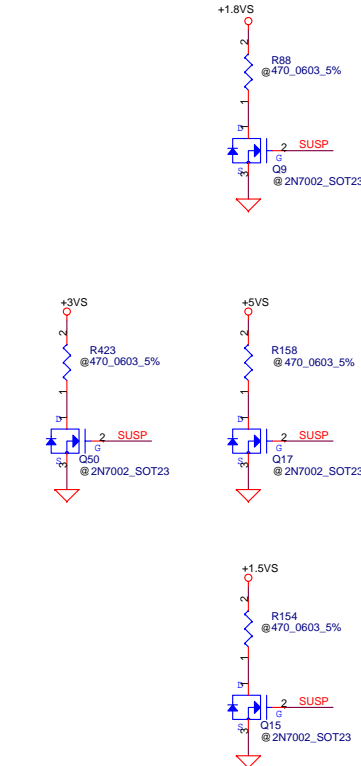
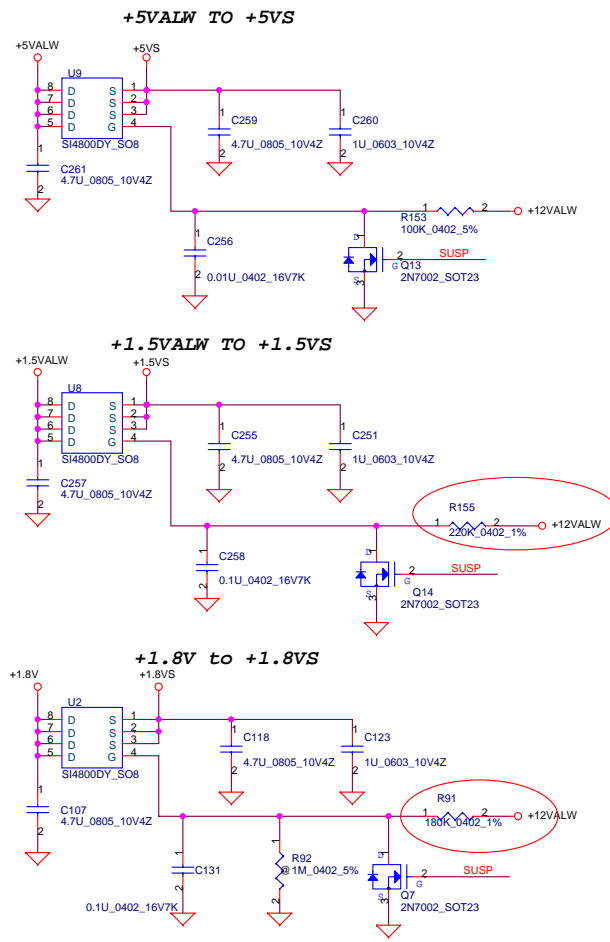
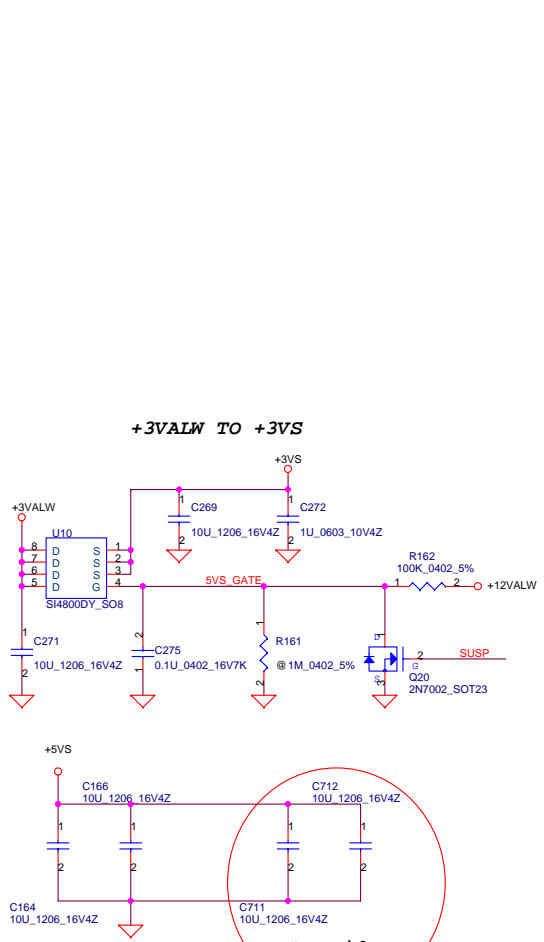


# FAN Conn

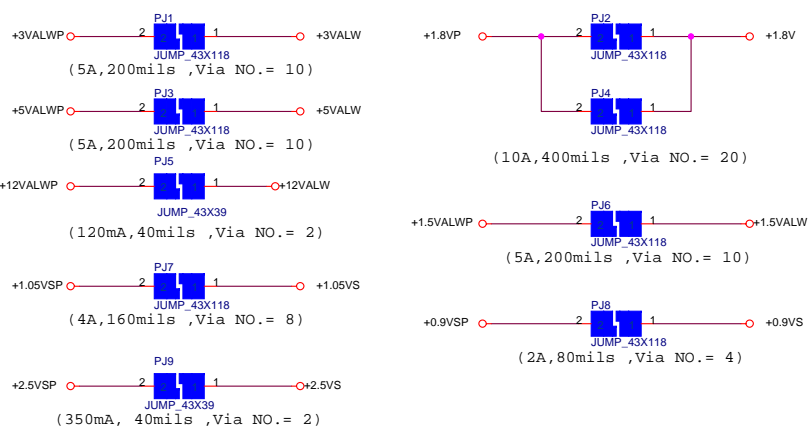
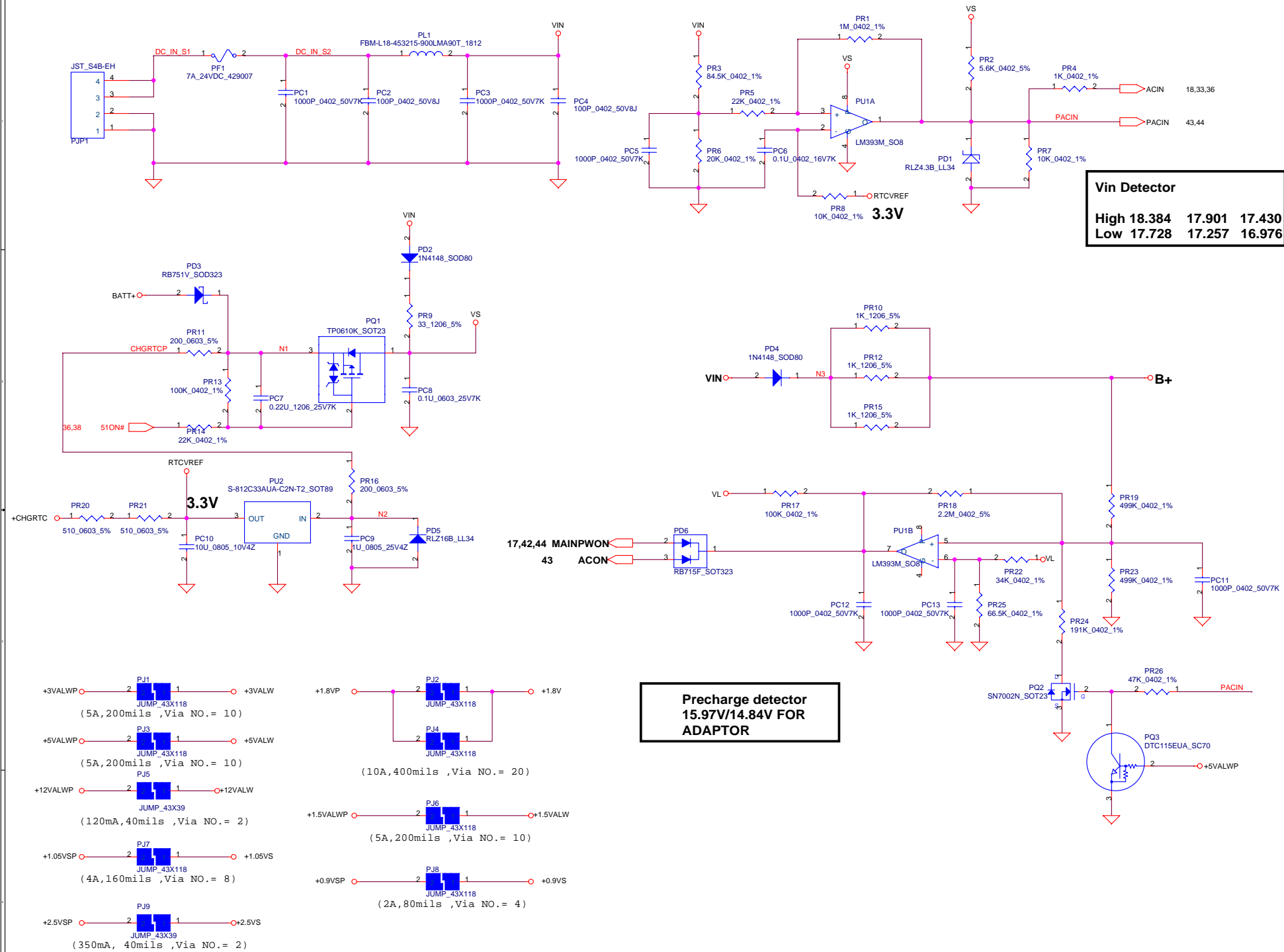


Security Classification	Compal Secret Data		Title	
Issued Date	2005/03/25	Deciphered Date	2006/03/25	Compal Electronics, Inc.
THIS SHEET OF ENGINEERING DRAWING IS THE PROPRIETARY PROPERTY OF COMPAL ELECTRONICS, INC. AND CONTAINS CONFIDENTIAL AND TRADE SECRET INFORMATION. THIS SHEET MAY NOT BE TRANSFERRED FROM THE CUSTODY OF THE COMPETENT DIVISION OF R&D DEPARTMENT EXCEPT AS AUTHORIZED BY COMPAL ELECTRONICS, INC. NEITHER THIS SHEET NOR THE INFORMATION IT CONTAINS MAY BE USED BY OR DISCLOSED TO ANY THIRD PARTY WITHOUT PRIOR WRITTEN CONSENT OF COMPAL ELECTRONICS, INC.				Rev
Date: 星期三, 四月 20, 2005				1.0

EBQ10 LA-274  
[hwkain@compal.com](mailto:hwkain@compal.com)



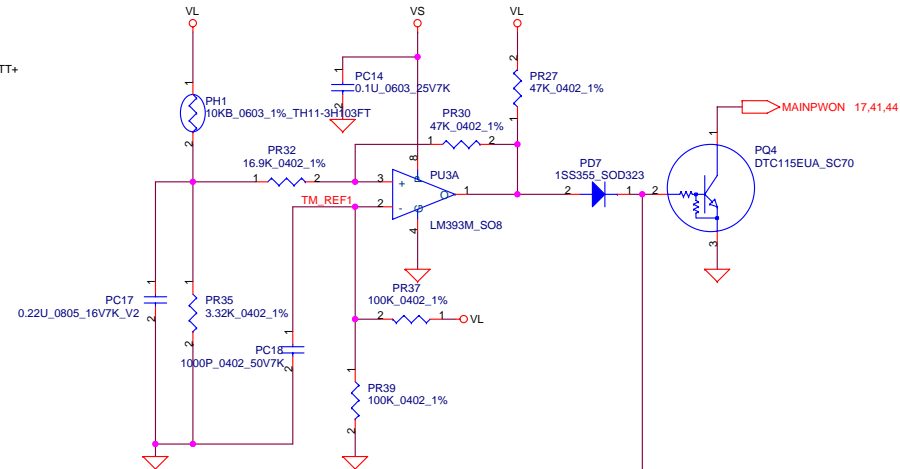
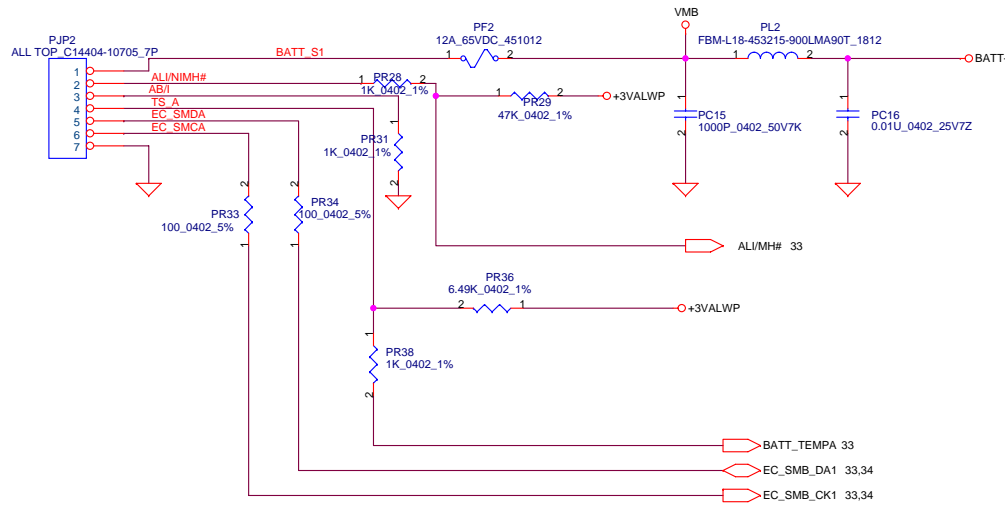
Security Classification	Compal Secret Data			Compal Electronics, Inc.	
Issued Date	2005/03/25	Deciphered Date	2006/03/25	Title	
THIS SHEET OF ENGINEERING DRAWING IS THE PROPRIETARY PROPERTY OF COMPAL ELECTRONICS, INC. AND CONTAINS CONFIDENTIAL AND TRADE SECRET INFORMATION. THIS SHEET MAY NOT BE TRANSFERRED FROM THE CUSTODY OF THE COMPETENT DIVISION OF R&D DEPARTMENT EXCEPT AS AUTHORIZED BY COMPAL ELECTRONICS, INC. NEITHER THIS SHEET NOR THE INFORMATION IT CONTAINS MAY BE USED BY OR DISCLOSED TO ANY THIRD PARTY WITHOUT PRIOR WRITTEN CONSENT OF COMPAL ELECTRONICS, INC.				Document Number	Rev
				EBQ10 LA-2741	
				Date	Rev
				星期二, 四月 20, 2005	1.0
				Sheet	40 of 49



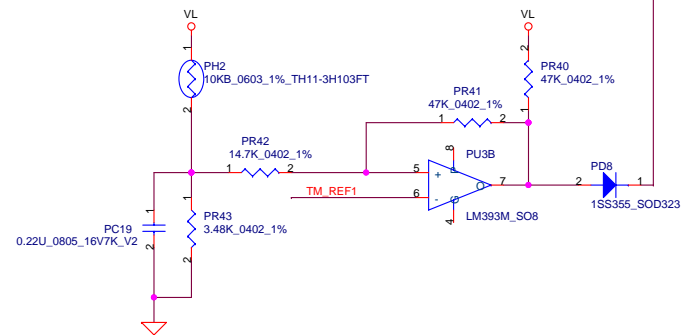
**Precharge detector**  
15.97V/14.84V FOR ADAPTOR

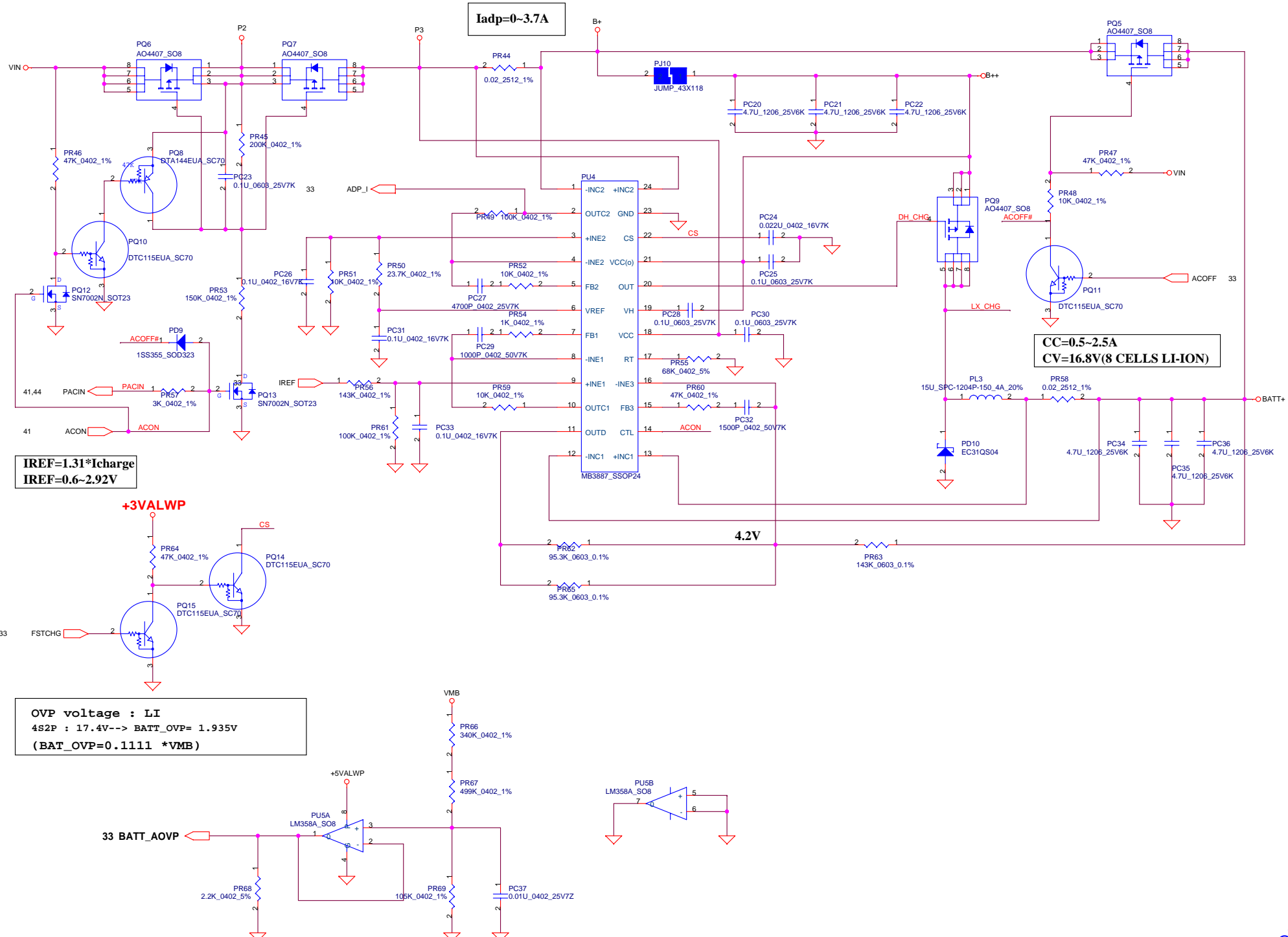
Security Classification	Compal Secret Data		Title	
Issued Date	2005/03/25	Deciphered Date	2006/03/25	DCIN & DETECTOR
<small>THIS SHEET OF ENGINEERING DRAWING IS THE PROPRIETARY PROPERTY OF COMPAL ELECTRONICS, INC. AND CONTAINS CONFIDENTIAL AND TRADE SECRET INFORMATION. THIS SHEET MAY NOT BE TRANSFERRED FROM THE CUSTODY OF THE COMPETENT DIVISION OF RESEARCH AND DEVELOPMENT DEPARTMENT EXCEPT AS AUTHORIZED BY COMPAL ELECTRONICS, INC. NEITHER THIS SHEET NOR THE INFORMATION IT CONTAINS MAY BE USED BY OR DISCLOSED TO ANY THIRD PARTY WITHOUT PRIOR WRITTEN CONSENT OF COMPAL ELECTRONICS, INC.</small>				Document Number <b>EBQ10 DA-2741</b> Rev 1.0
Date:	星期三, 四月 20, 2005	Sheet	41	of 49

PH1 under CPU botten side :  
 CPU thermal protection at 84 degree C  
 Recovery at 45 degree C



PH2 near main Battery CONN :  
 BAT. thermal protection at 79 degree C  
 Recovery at 45 degree C





Iadp=0~3.7A

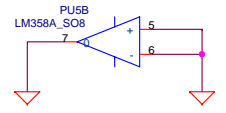
CC=0.5-2.5A  
CV=16.8V (8 CELLS LI-ION)

IREF=1.31\*Icharge  
IREF=0.6~2.92V

+3VALWP

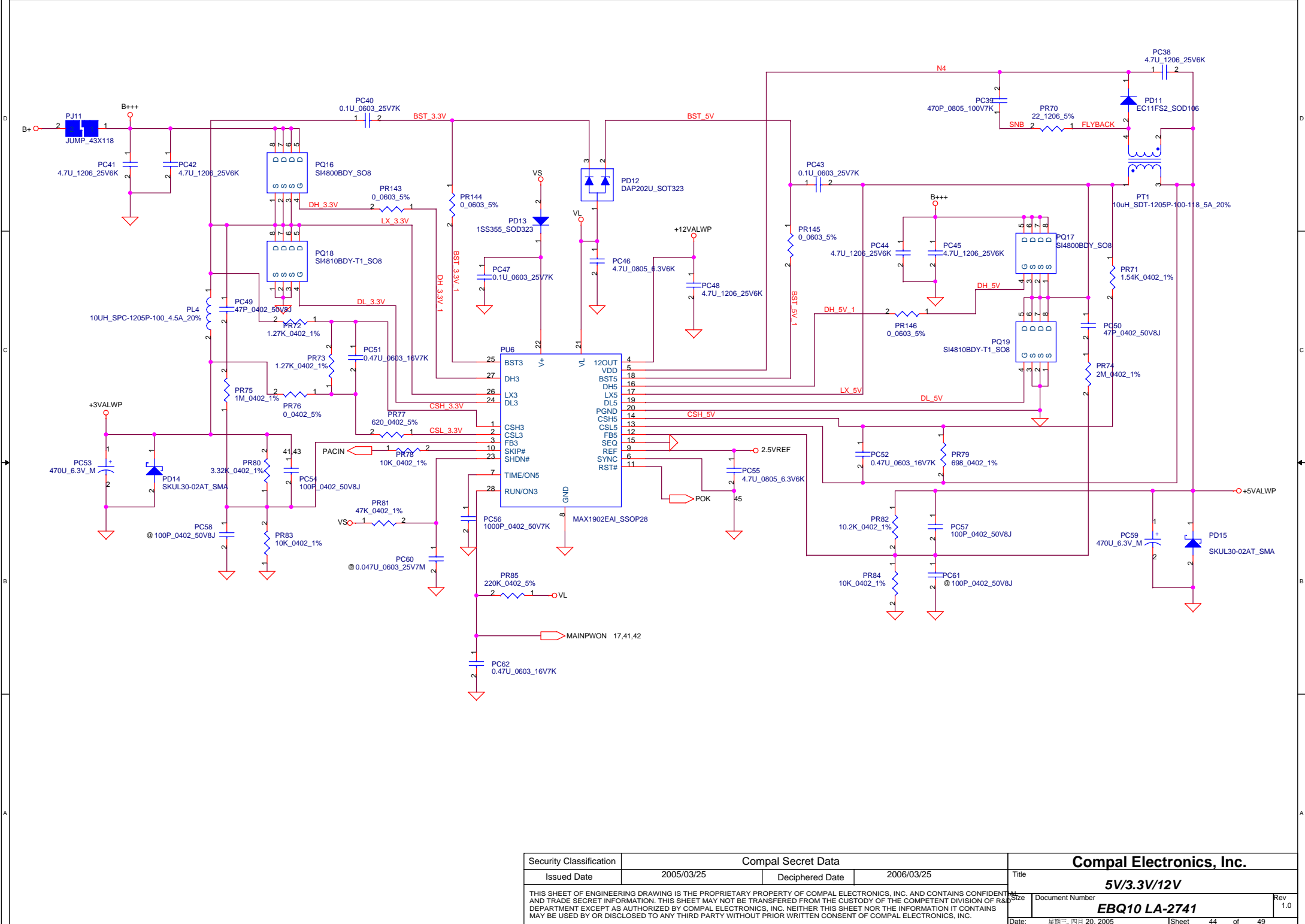
4.2V

OVP voltage : LI  
4S2P : 17.4V--> BATT\_OVP= 1.935V  
(BAT\_OVP=0.1111 \*VMB)



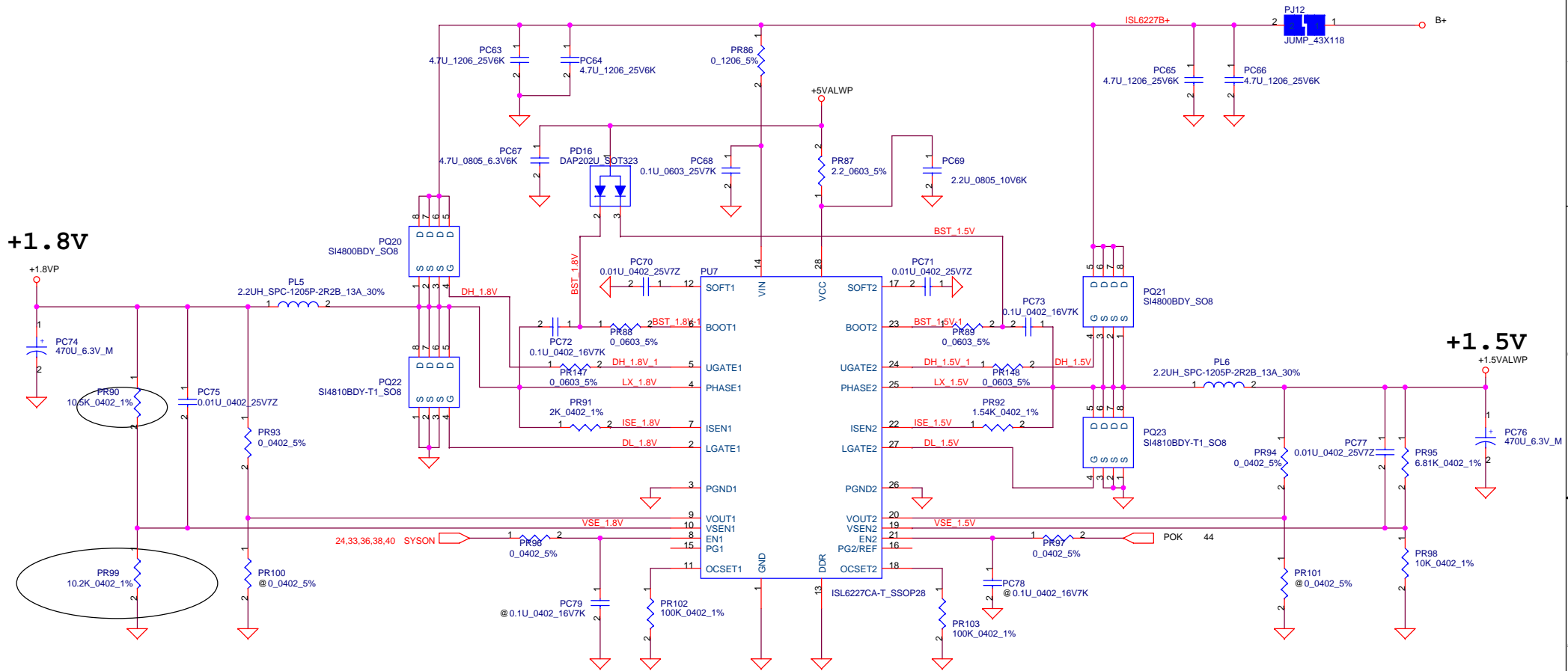
Security Classification		Compal Secret Data		Compal Electronics, Inc.	
Issued Date	2005/03/25	Deciphered Date	2006/03/25	Title	
				Charger	
THIS SHEET OF ENGINEERING DRAWING IS THE PROPRIETARY PROPERTY OF COMPAL ELECTRONICS, INC. AND CONTAINS CONFIDENTIAL AND TRADE SECRET INFORMATION. THIS SHEET MAY NOT BE TRANSFERRED FROM THE CUSTODY OF THE COMPETENT DIVISION OF R&D DEPARTMENT EXCEPT AS AUTHORIZED BY COMPAL ELECTRONICS, INC. NEITHER THIS SHEET NOR THE INFORMATION IT CONTAINS MAY BE USED BY OR DISCLOSED TO ANY THIRD PARTY WITHOUT PRIOR WRITTEN CONSENT OF COMPAL ELECTRONICS, INC.				Document Number	Rev
				EBQ10 DA-2741	1.0
Date: 星期二, 四月 20, 2005				Sheet	43 of 49

dervain@hotmail.com

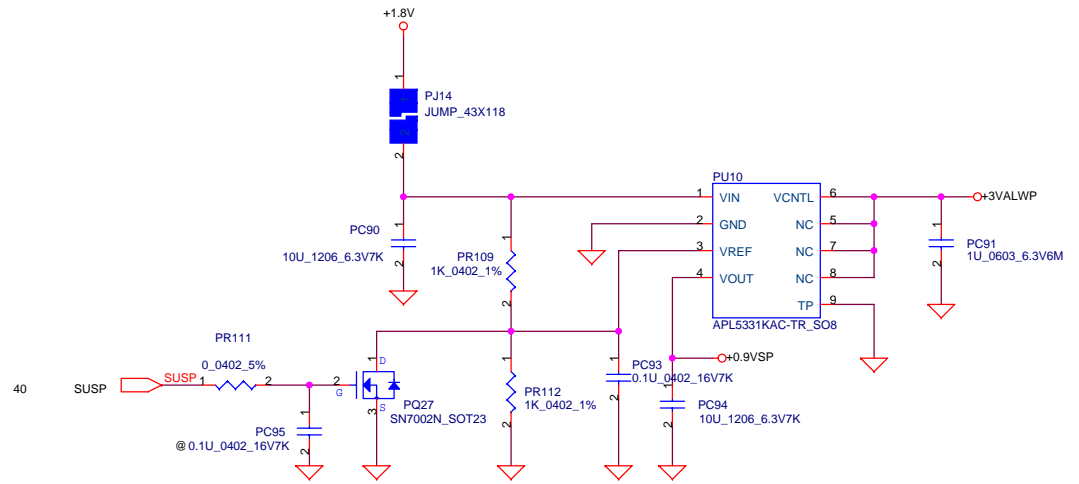
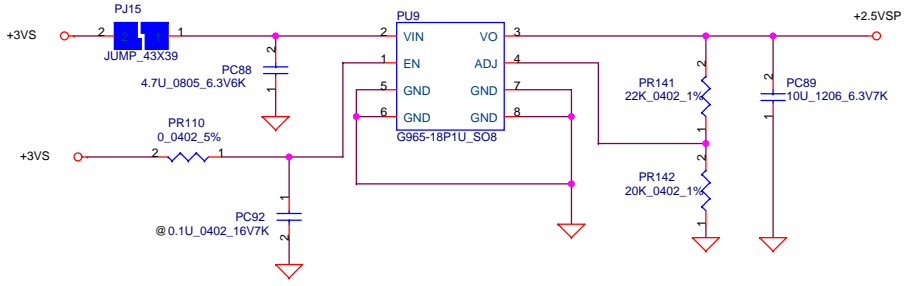
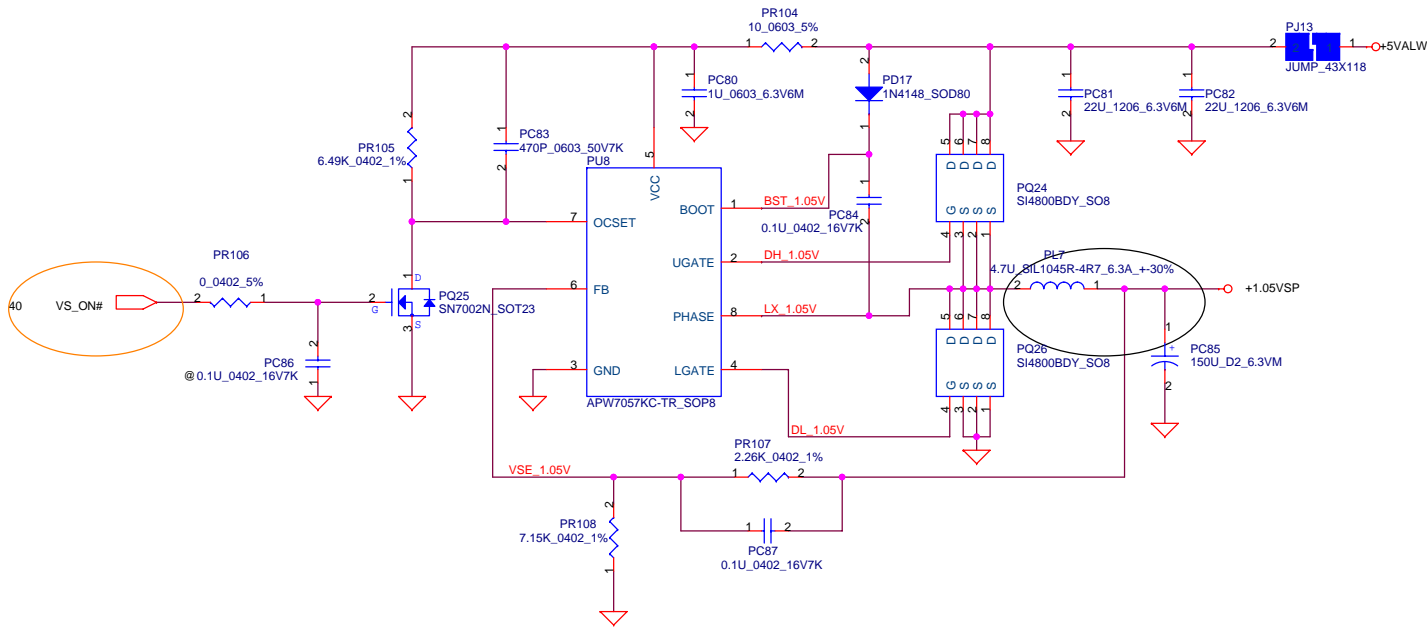


Security Classification		Compal Secret Data		Title	
Issued Date	2005/03/25	Deciphered Date	2006/03/25	5V/3.3V/12V	
THIS SHEET OF ENGINEERING DRAWING IS THE PROPRIETARY PROPERTY OF COMPAL ELECTRONICS, INC. AND CONTAINS CONFIDENTIAL AND TRADE SECRET INFORMATION. THIS SHEET MAY NOT BE TRANSFERRED FROM THE CUSTODY OF THE COMPETENT DIVISION OF RESEARCH AND DEVELOPMENT EXCEPT AS AUTHORIZED BY COMPAL ELECTRONICS, INC. NEITHER THIS SHEET NOR THE INFORMATION IT CONTAINS MAY BE USED BY OR DISCLOSED TO ANY THIRD PARTY WITHOUT PRIOR WRITTEN CONSENT OF COMPAL ELECTRONICS, INC.				Document Number	Rev
				EBQ10 LA-2741	1.0
Date: 星期三, 四月 20, 2005				Sheet	44 of 49

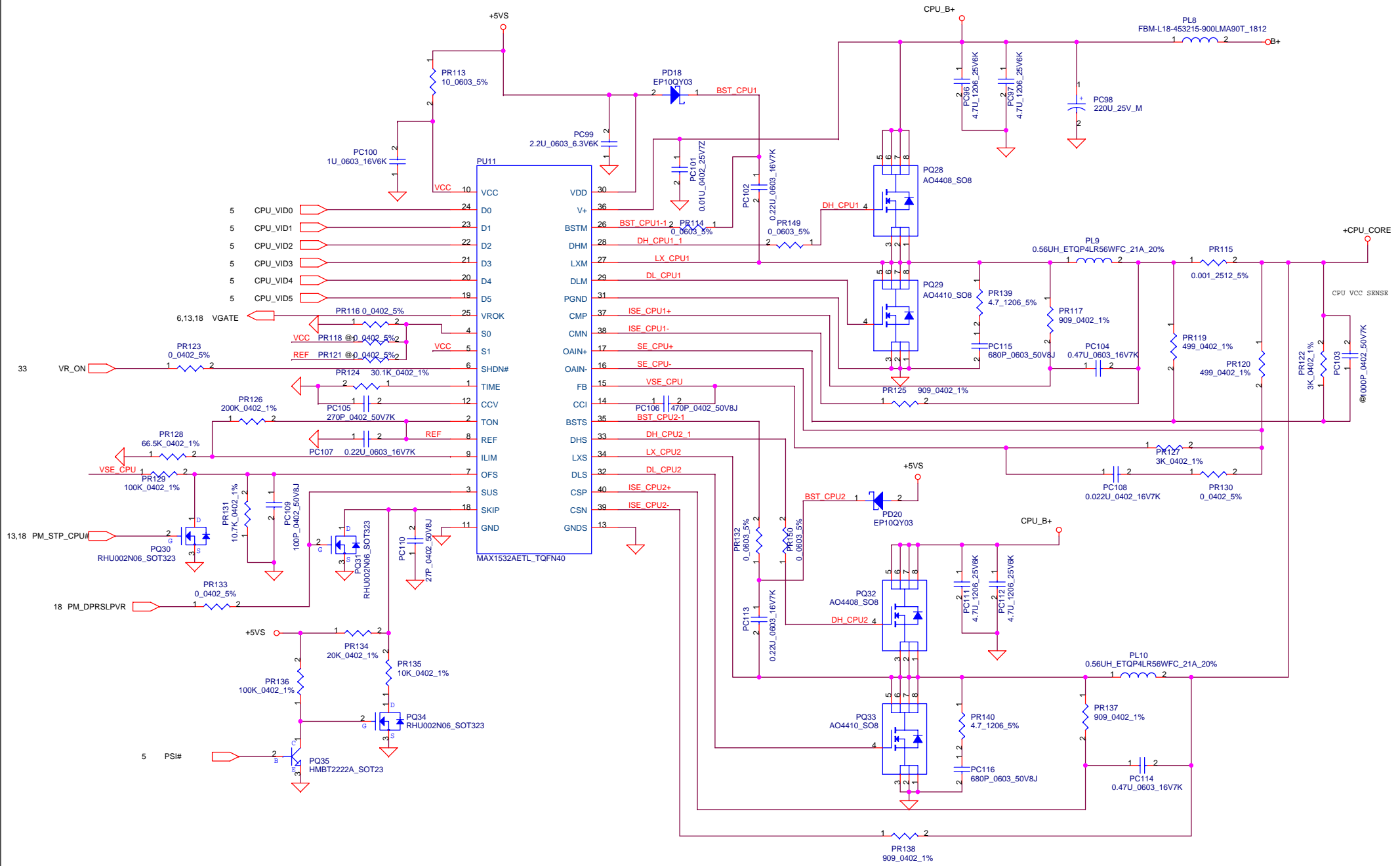




Security Classification		Compal Secret Data		Compal Electronics, Inc.	
Issued Date	2005/03/25	Deciphered Date	2006/03/25	Title	1.8V/1.5V
THIS SHEET OF ENGINEERING DRAWING IS THE PROPRIETARY PROPERTY OF COMPAL ELECTRONICS, INC. AND CONTAINS CONFIDENTIAL AND TRADE SECRET INFORMATION. THIS SHEET MAY NOT BE TRANSFERRED FROM THE CUSTODY OF THE COMPETENT DIVISION OF R&D DEPARTMENT EXCEPT AS AUTHORIZED BY COMPAL ELECTRONICS, INC. NEITHER THIS SHEET NOR THE INFORMATION IT CONTAINS MAY BE USED BY OR DISCLOSED TO ANY THIRD PARTY WITHOUT PRIOR WRITTEN CONSENT OF COMPAL ELECTRONICS, INC.				Size	Document Number
				EBQ10 LA2741	
				Date:	星期三, 四月 20, 2005
				Sheet	45 of 49



Security Classification		Compal Secret Data		Compal Electronics, Inc.	
Issued Date	2005/03/25	Deciphered Date	2006/03/25	Title	1.05V/0.9V/2.5V
THIS SHEET OF ENGINEERING DRAWING IS THE PROPRIETARY PROPERTY OF COMPAL ELECTRONICS, INC. AND CONTAINS CONFIDENTIAL AND TRADE SECRET INFORMATION. THIS SHEET MAY NOT BE TRANSFERRED FROM THE CUSTODY OF THE COMPETENT DIVISION OF R&D DEPARTMENT EXCEPT AS AUTHORIZED BY COMPAL ELECTRONICS, INC. NEITHER THIS SHEET NOR THE INFORMATION IT CONTAINS MAY BE USED BY OR DISCLOSED TO ANY THIRD PARTY WITHOUT PRIOR WRITTEN CONSENT OF COMPAL ELECTRONICS, INC.				Size	Document Number
				EBQ10 LA-2741	
				Date:	星期三, 四月 20, 2005
				Sheet	46 of 49
				Rev	1.0



Security Classification	Compal Secret Data		Compal Electronics, Inc.	
Issued Date	2005/03/25	Deciphered Date	2006/03/25	Title
				<b>CPU Core</b>
THIS SHEET OF ENGINEERING DRAWING IS THE PROPRIETARY PROPERTY OF COMPAL ELECTRONICS, INC. AND CONTAINS CONFIDENTIAL AND TRADE SECRET INFORMATION. THIS SHEET MAY NOT BE TRANSFERRED FROM THE CUSTODY OF THE COMPETENT DIVISION OF R&D DEPARTMENT EXCEPT AS AUTHORIZED BY COMPAL ELECTRONICS, INC. NEITHER THIS SHEET NOR THE INFORMATION IT CONTAINS MAY BE USED BY OR DISCLOSED TO ANY THIRD PARTY WITHOUT PRIOR WRITTEN CONSENT OF COMPAL ELECTRONICS, INC.				Document Number
				<b>EBQ10 SA-2741</b>
Date:	星期三, 四月 20, 2005	Sheet	47	of 49

hsyair@outmail.com

NO	DATE	PAGE	MODIFICATION LIST	PURPOSE
2005.1.31				
	3/24	P.4	Reserve R,C circuit	for reboot issue
Change JP17 P/N to SP070012100				
Change JP19 P/N to SP010009V00				
Change JP23 P/N to SP070005L00				
Change JP26 P/N to SP070013200				
2005.2.02				
Change 5in1 LED(D28) from Blue to Green				
Change Power LED(D45), Battery Charge LED(D47)				
Battery Low LED(D48) to single die LED				
Remove transistors(Q19,Q21,Q22)				
Change Q23 from transistor to 2N7002				
2005.2.04				
Change U19 to G528				
2005.2.05				
Add C161,C162 and @C154				
2005.2.15				
ADD R586 (0 ohm) between 1394 GRST# and PCL_RST#				
R108 @				
ADD SPEAKER_ID between EC and Codec				
Connect WLAN and BT with R589(0 ohm),R590(100k pull low),R591(0 ohm) and R592(100k pull low)				
2005.2.16				
R73 on with 8100CL and 8110S				
Use SM bus into Codec				
Swap BT connector				
Add Page32 HW EQ				
2005.2.18				
Change H28 digital GND to analog GND				
Swap back the BT connector				
2005.2.21				
Add R611 and R612 to NOEQ@				
C161,C162 change to 330uF				
R108 Change to 220K ohm				
R590,R592 change to @				
Change D40 and R578 to @				
Change 5in1 LED to +3VS and R570 to 150 ohm.				
Change R91 to 180K ohm and R155 to 220K ohm				
Add two 10uF on +5VS C711 and C712				
Change SATA crystal to Oscillator				
Change C309 and C316 to 12PF				
2005.2.23				
Help power to updat PL7, PR90 and PR99				
Change R164 and R165 to 470ohm				
Change C350 to 4.7UF; Change C382 to @				
2005.2.24				
Add R625 and R626 @: remove H25				
Change H28 to digital GND				
Add R629 0 ohm on U19.5 FLG pin				
Help power to update PR20 and PR21 to 510 ohm				
2005.3.2				
Add KBC Cap. for EMI's request on p36				

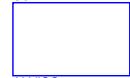
Security Classification	Compal Secret Data			Compal Electronics, Inc.		
Issued Date	2005/03/25	Deciphered Date	2006/03/25			
THIS SHEET OF ENGINEERING DRAWING IS THE PROPRIETARY PROPERTY OF COMPAL ELECTRONICS, INC. AND CONTAINS CONFIDENTIAL AND TRADE SECRET INFORMATION. THIS SHEET MAY NOT BE TRANSFERRED FROM THE CUSTODY OF THE COMPETENT DIVISION OF RESEARCH AND DEVELOPMENT EXCEPT AS AUTHORIZED BY COMPAL ELECTRONICS, INC. NEITHER THIS SHEET NOR THE INFORMATION IT CONTAINS MAY BE USED BY OR DISCLOSED TO ANY THIRD PARTY WITHOUT PRIOR WRITTEN CONSENT OF COMPAL ELECTRONICS, INC.				Title	PIR	
				Document Number	EBQ10 LA-2741	
Date:	星期一, 四月 25, 2005			Sheet	48	of 49

ZZZ



LA-2741

U34



ALVISO  
915PM@

U34



ALVISO  
910GML@

U32



10/100 8100C  
8100C@

T1



GIGA 8100S  
8100C@

U21



CB1410  
CB1410@

Security Classification	Compal Secret Data			<b>Compal Electronics, Inc.</b>		
Issued Date	2005/03/25	Deciphered Date	2006/03/25	Title	<b>ISPD</b>	
THIS SHEET OF ENGINEERING DRAWING IS THE PROPRIETARY PROPERTY OF COMPAL ELECTRONICS, INC. AND CONTAINS CONFIDENTIAL AND TRADE SECRET INFORMATION. THIS SHEET MAY NOT BE TRANSFERRED FROM THE CUSTODY OF THE COMPETENT DIVISION OF RESEARCH AND DEVELOPMENT EXCEPT AS AUTHORIZED BY COMPAL ELECTRONICS, INC. NEITHER THIS SHEET NOR THE INFORMATION IT CONTAINS MAY BE USED BY OR DISCLOSED TO ANY THIRD PARTY WITHOUT PRIOR WRITTEN CONSENT OF COMPAL ELECTRONICS, INC.				Document Number	<b>EBQ10 LA-2741</b>	
				Date: 星期三, 四月 20, 2005	Sheet 1	of 49

hexain@hotmail.com